



Parts Manual
E Ride 28/32 Scrubber

This machine was designed to give you excellent performance and efficiency. For best results and minimal cost, please follow the general guidelines below:

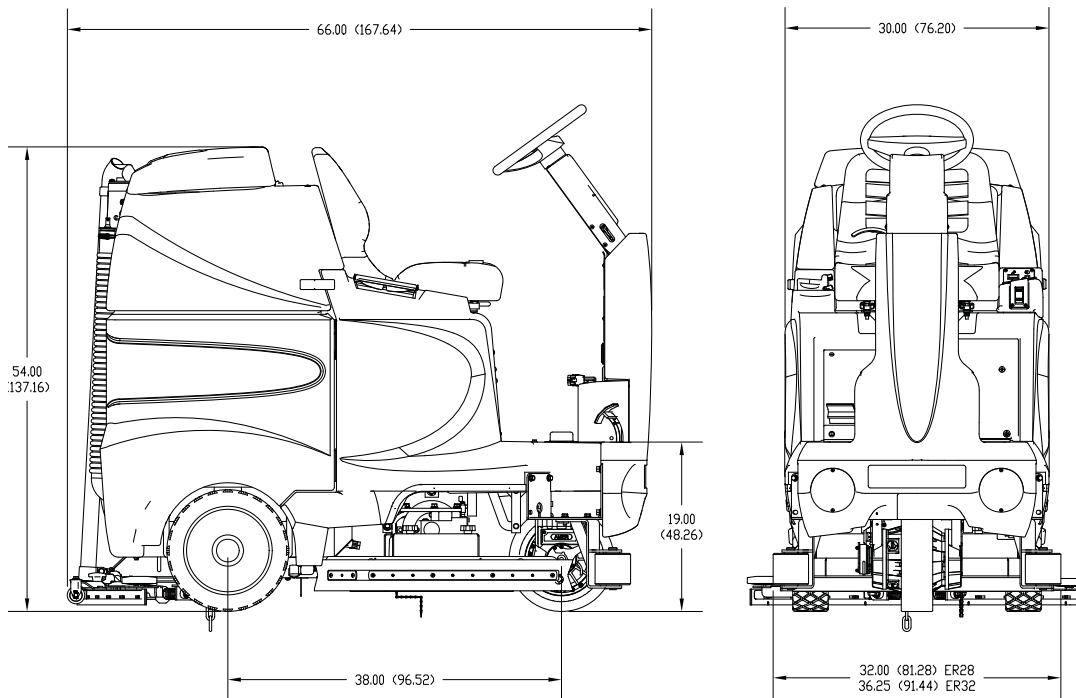
- Operate the machine with reasonable care.
- Follow the manufacturers suggested maintenance instructions as provided in the user manual.
- Use original Minuteman supplied parts.

Technical Specifications

Model E RIDE 2832

Model No. ER28C, ER28CPLUS, ER28CQP, ER28CQPG, ER28CQPT, ER28D, ER28DPLUS, ER28DQP, ER28DQPG, ER28DQPT, ER32C, ER32CPLUS, ER32CQP, ER32CQPG, ER32CQPT, ER32D, ER32DPLUS, ER32DQP, ER32DQPG, ER32DQPT, ER32DPLUSIW, ER32DQPIW

| | |
|-------------------------|---|
| Current | 60 Amps |
| Voltage, Batteries | 36 volts, 6-6volt |
| Battery Capacity | 275 Ah (Optional 395 Ah batteries available) |
| Sound Level | 75 dB |
| Dimensions (LxWxH) | 66" x 31" x 54" (167.64cm x 78.74cm x 137cm) |
| Gross Weight | 1,243 lbs (564 kg) with batteries 847 lbs (384 kg) without batteries |
| Working Grade Transport | 10% (7°) |
| Wheel to Floor Pressure | 64 PSI Front, 69 PSI Rear |

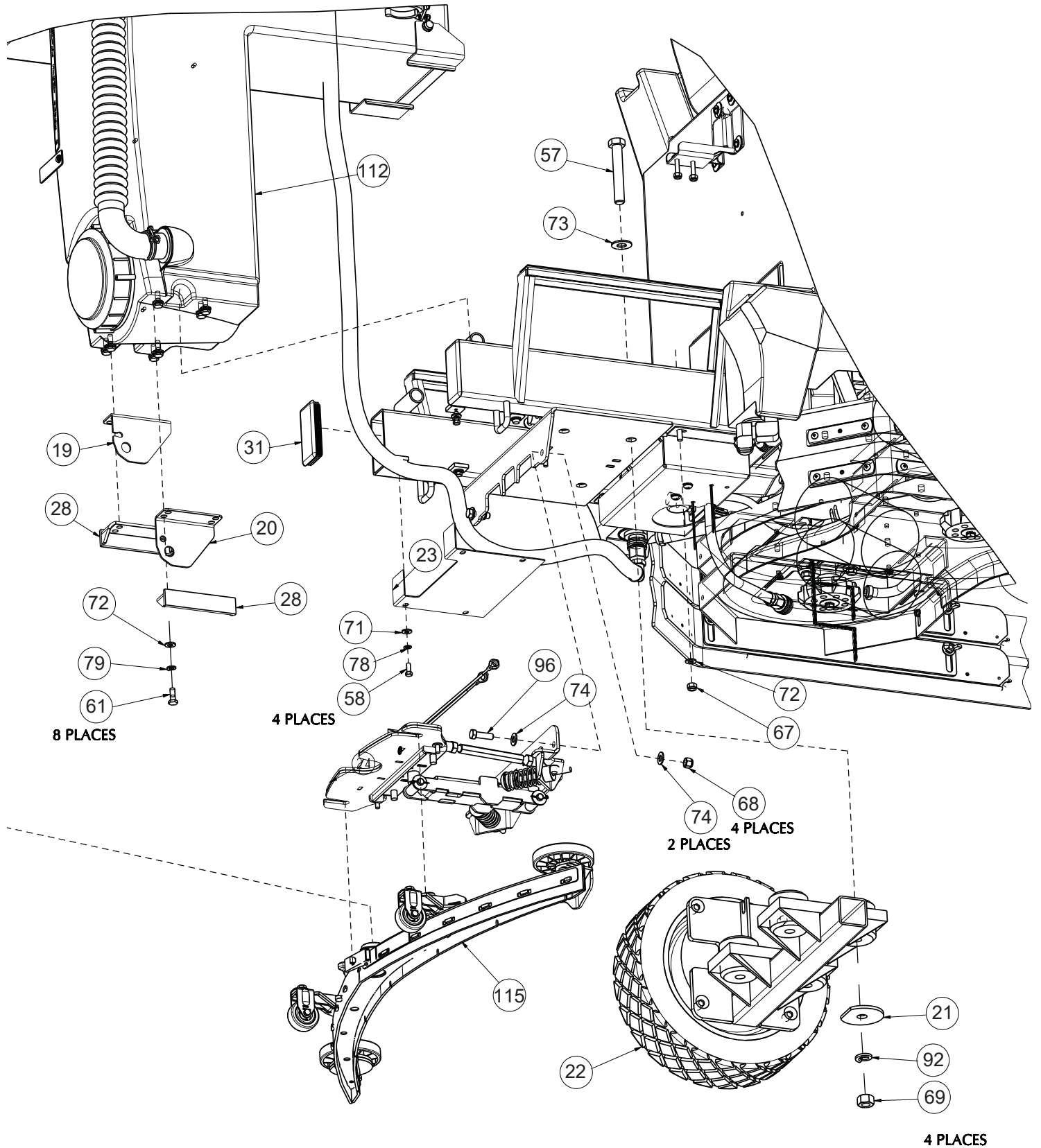


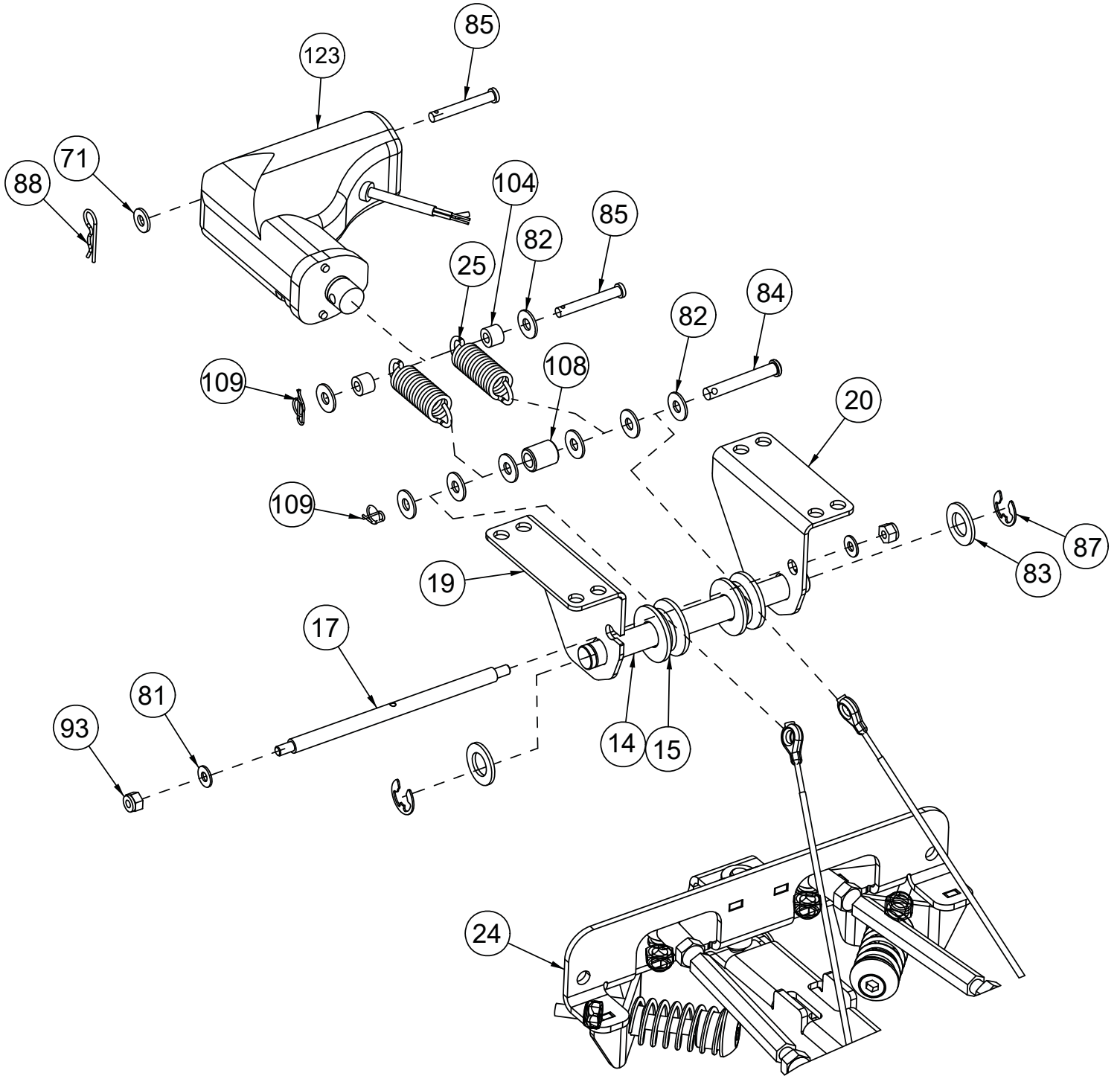
For Safety When Servicing or Maintaining Machine

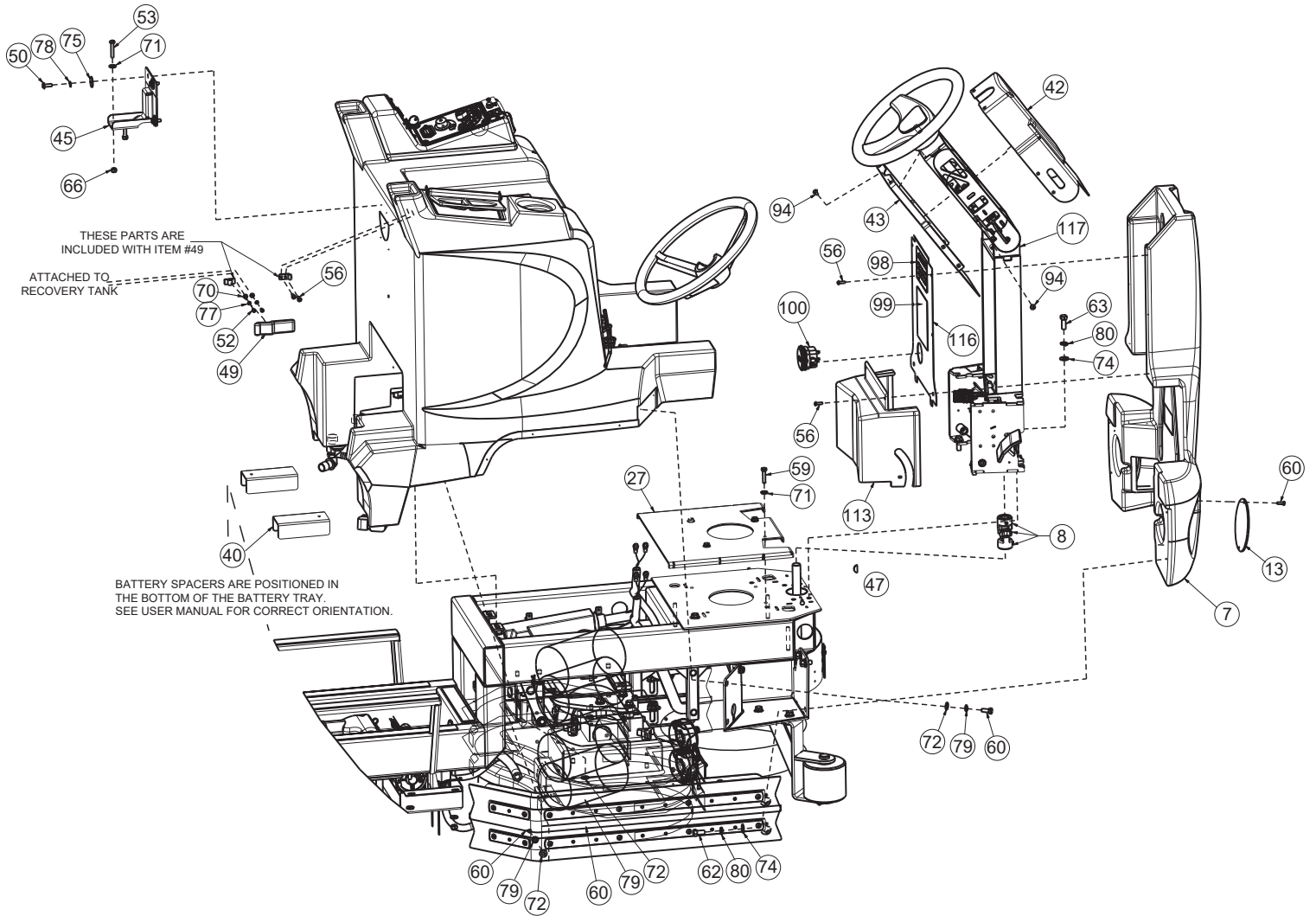
- Stop on level surface.
- Disconnect the power to the machine by pulling the red Battery Connector located under the recovery tank near the batteries.
- Avoid moving parts. Do not wear loose jackets, shirts, or sleeves when working on machine.
- Avoid contact with battery acid. Battery acid can cause burns. When working on or around batteries, wear protective clothing and safety glasses. Remove metal jewelry. Do not lay tools or metal objects on top of batteries.
- Do not clean machine with a pressure washer.
- Authorized personnel must perform repairs and maintenance. Use Minuteman supplied replacement parts.

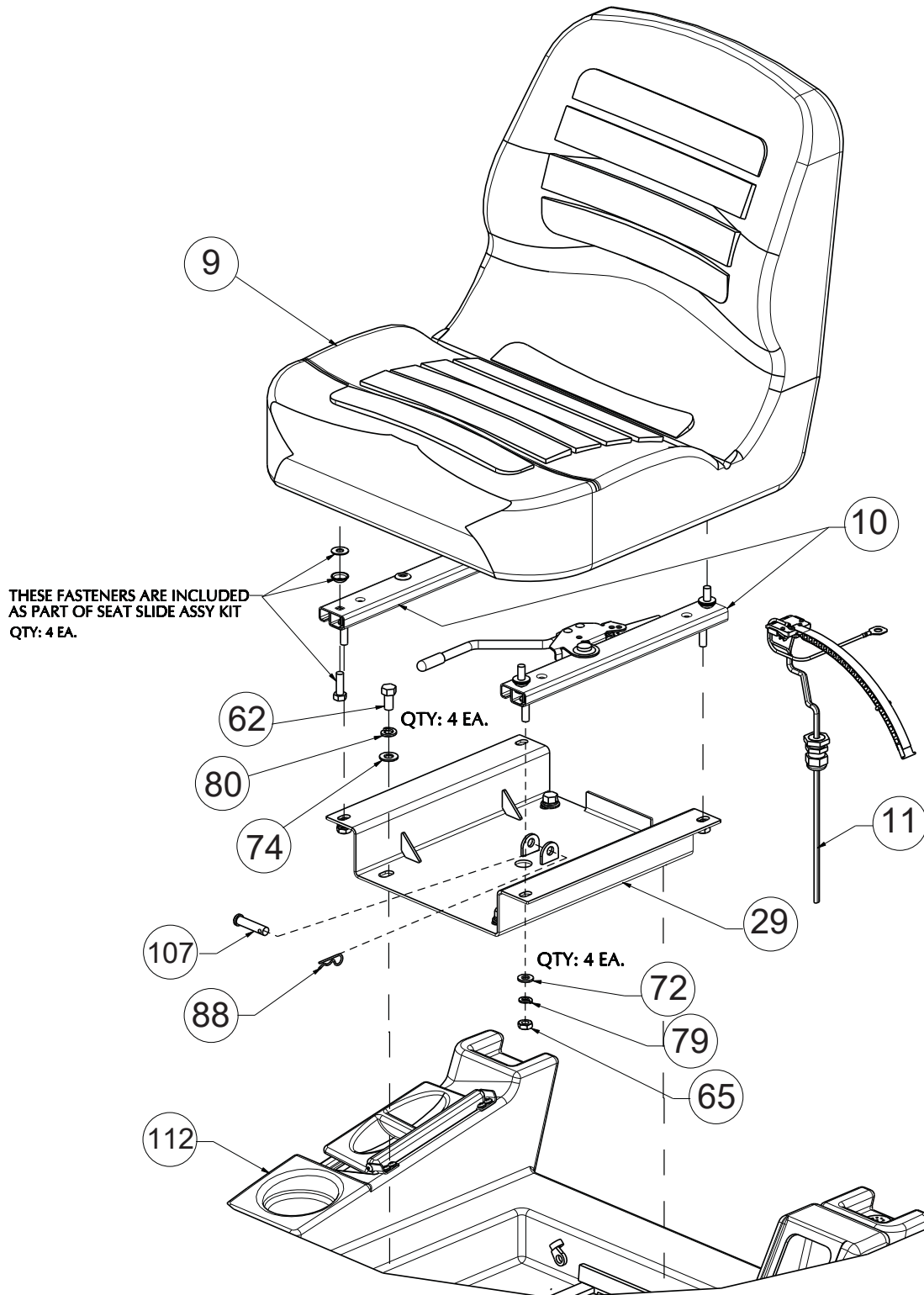
Table of Contents

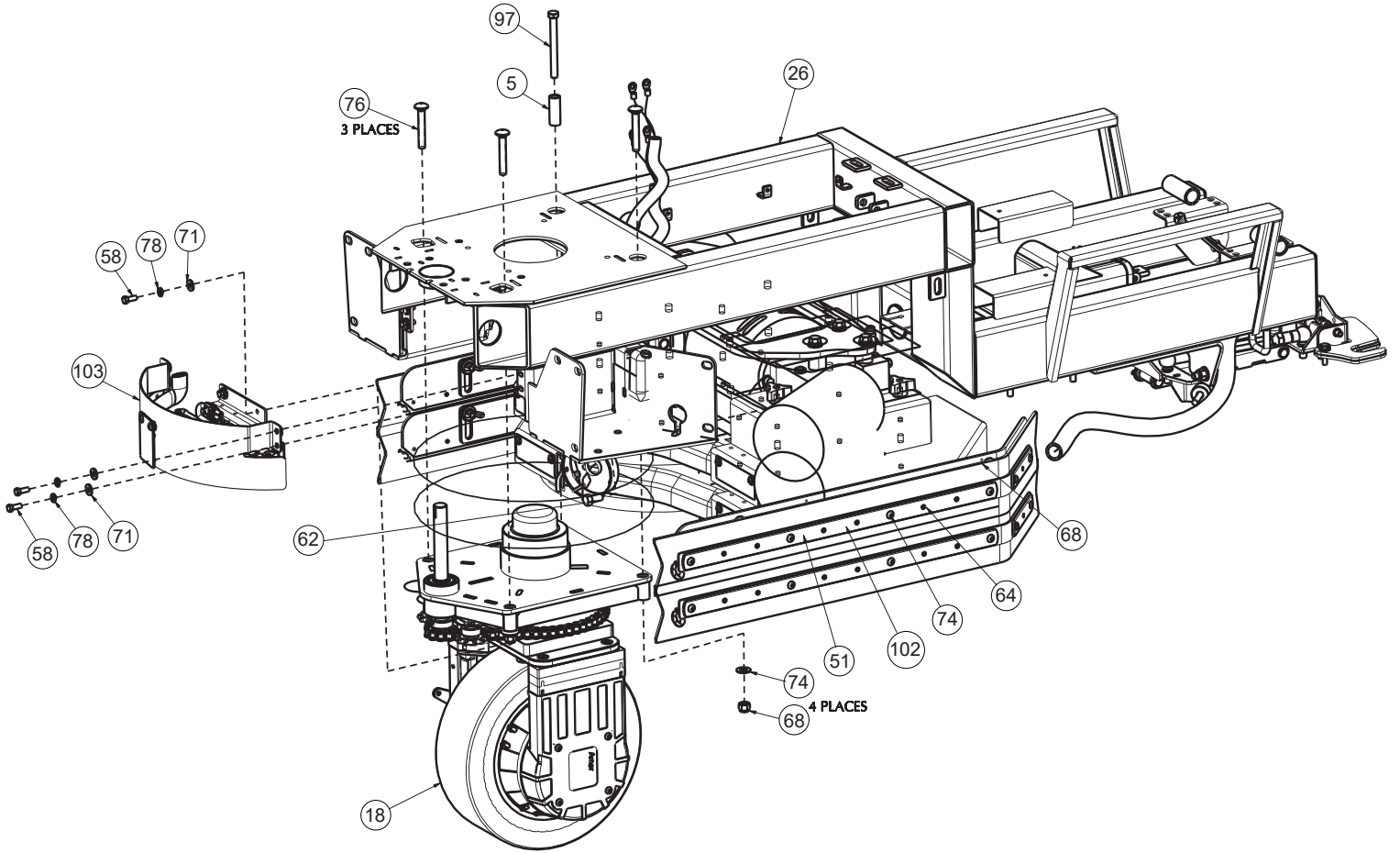
| | |
|--|----|
| Technical Specifications | 2 |
| Main Assembly I | 4 |
| Main Assembly II | 5 |
| Main Assembly III | 6 |
| Main Assembly IV | 7 |
| Main Assembly V | 8 |
| Deck Linkage Assembly | 11 |
| Drive Motor Cable Assembly | 13 |
| Front Drive Assembly | 14 |
| Steering Assembly | 16 |
| Solution Tank Assembly / Seat Assembly | 18 |
| Console Assembly | 19 |
| Controls Assembly | 21 |
| Electrical Panel Assembly | 22 |
| Circuit Breaker Assembly | 24 |
| Recovery Tank Assembly I | 25 |
| Recovery Tank Assembly II | 26 |
| Fixed Lid Assembly | 28 |
| Recovery Tank Drain (Dump) Hose Assembly | 29 |
| Battery Box Assembly | 30 |
| Pump Assembly | 31 |
| Rear Axle Assembly | 33 |
| Squeegee Mechanism Assembly | 34 |
| Rear Squeegee Assembly | 36 |
| Cylindrical Scrub Deck Assembly | 38 |
| Cylindrical Scrub Deck Base | 39 |
| Disc Scrub Deck Assembly | 41 |
| Disc Scrub Deck Base | 42 |
| Cylindrical Scrub Deck Side Squeegee (Left Hand Side) | 44 |
| Cylindrical Scrub Deck Side Squeegee (Right Hand Side) | 45 |
| Disc Scrub Deck Side Squeegee (Left Hand Side) | 46 |
| Disc Scrub Deck Side Squeegee (Right Hand Side) | 47 |
| Cylindrical Scrub Deck and Roller Bumper Mounting | 48 |
| Disc Scrub Deck and Roller Bumper Mounting | 50 |
| Wiring Diagrams | 52 |
| Warranty | 56 |





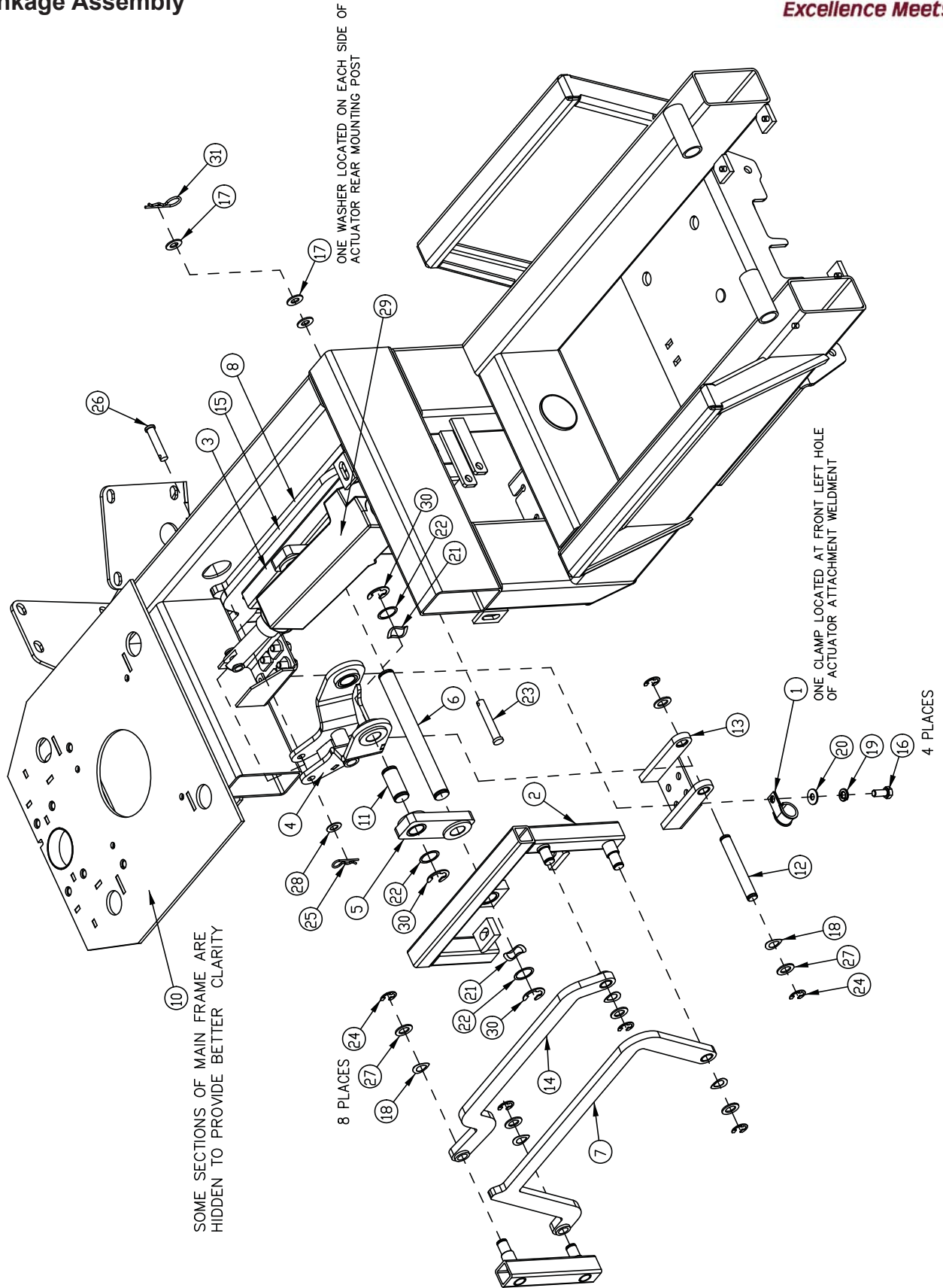




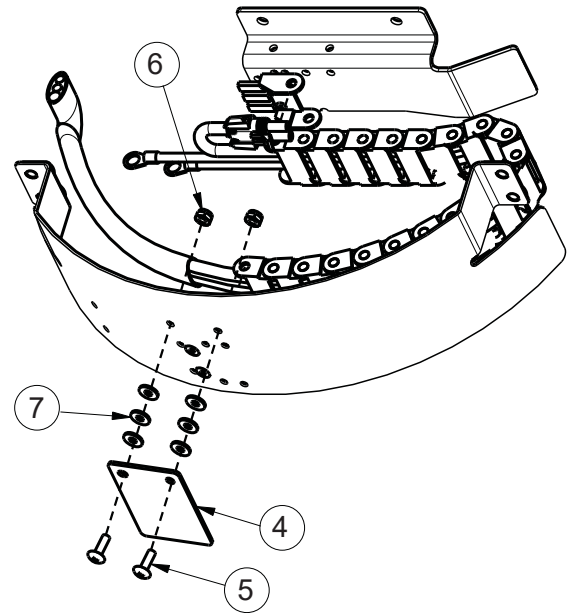
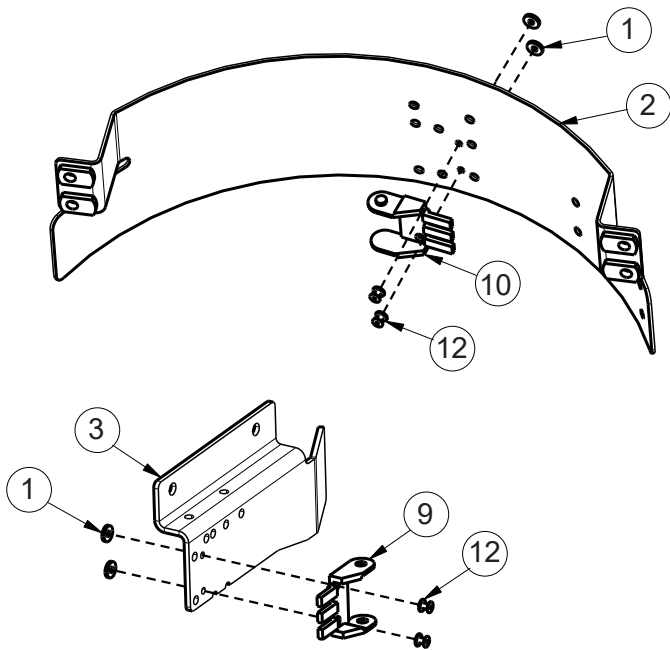


| BILL OF MATERIAL - MAIN ASSEMBLY | | | | | | | |
|----------------------------------|----------|-----|---|------|--------|-----|--|
| ITEM | PART # | QTY | DESCRIPTION | ITEM | PART # | QTY | DESCRIPTION |
| 5 | 260125 | 1 | BUSHING-YOKE .407 X 1.687 STL ZINC | 29 | 281376 | 1 | 28 SEAT BRACKET WMT |
| 7 | 281020 | 1 | FRONT BUMPER ASSY. - E RIDE 2832 | 31 | 281446 | 2 | END CAP-TUBING 2" X 4" |
| 8 | 281051 | 1 | COUPLING-(2 COUPLERS, 1 SPI-DER) 3/4 IN | 40 | 281671 | 2 | BRACKET, U CHANNEL- BATTERY SPACER |
| 9 | 281085 | 1 | ASS'Y SEAT, SUPER SUBURBAN | 42 | 281991 | 1 | STEERING COVER, TOP, SCV2832 |
| 10 | 281086 | 1 | SLIDE ASS'Y KIT | 43 | 281992 | 1 | STEERING COVER, BOTTOM, SCV2832 |
| 11 | 281087-1 | 1 | SEAT SWITCH ASSY, SCV2832 | 44 | 281996 | 1 | BKT, MOUNT FOR HORN, SCV2832 |
| 13 | 281139 | 1 | COVER, HEADLIGHT BLANK 5", SCV2832 | 45 | 281999 | 1 | BATT CONN MOUNT WMT, SCV2832 |
| 13A | 281990 | 1 | KIT - HEADLIGHTS, SCV2832 (FOR PLUS MODELS) | 46 | 360017 | 2 | PIN-CLEVIS 3/4 X 4.5 ZINC |
| 14 | 281195 | 1 | BRACKET - SQUEEGEE LIFT, RH | 47 | 383277 | 2 | KEY-WOODRUFF 3/16 X .750 |
| 15 | 281196 | 1 | SHAFT - PULLEY | 49 | 450207 | 2 | LATCH-SOFT |
| 17 | 281227 | 1 | ROD - CONTAINMENT | 50 | 710180 | 4 | SCR-THMS 1/4-20 X .75 ZP |
| 18 | 281189 | 1 | FRONT DRIVE ASSY - E RIDE 2832 | 51 | 710204 | 2 | SCR-PHMS 6-32 X .50 ZP |
| 19 | 281193 | 1 | BRKT - SQUEEGEE LIFT, LH | 52 | 710328 | 4 | SCR-RHMS 8-32 X .37 ZP |
| 20 | 281194 | 1 | BRKT - SQUEEGEE LIFT, RH | 53 | 710385 | 2 | SCR-RHMS 1/4-20 X 1.50 NKL |
| 21 | 281211 | 4 | WSR-SNUBBING | 56 | 711161 | 10 | SCR-HI/LO 10 X .75 BLK ZINC PHD |
| 22 | 281201E | 1 | REAR AXLE ASSY | 57 | 711173 | 4 | SCR-HH 5/8-11 X 4 ZP GR 5 |
| 23 | 281228 | 1 | REAR COVER | 58 | 711203 | 10 | SCR-HH 1/4-20 X .62 ZP TAP |
| 24 | 281230 | 1 | REAR SQUEEGEE MECHANISM - E RIDE 2832 | 59 | 711210 | 4 | SCR-HH 1/4-20 X 1.25 ZP GR 5 FULL THRD |
| 25 | 281225 | 2 | SPRING - EXTENSION, 3" | 60 | 711228 | 12 | SCR-HH 5/16-18 X .75 ZP GR 5 |
| 26 | 281300 | 1 | MAIN FRAME - E RIDE 2832 | 61 | 711229 | 8 | SCR-HH 5/16-18 X .87 ZP GR 5 |
| 27 | 281351 | 1 | WELD-PANEL FLOOR | 62 | 711241 | 11 | SCR-HH 3/8-16 X .75 ZP GR 5 |
| 28 | 281360 | 2 | WELD-SLIDER FIXED | 63 | 711242 | 6 | SCR-HH 3/8-16 X 1.00 ZP TAP |

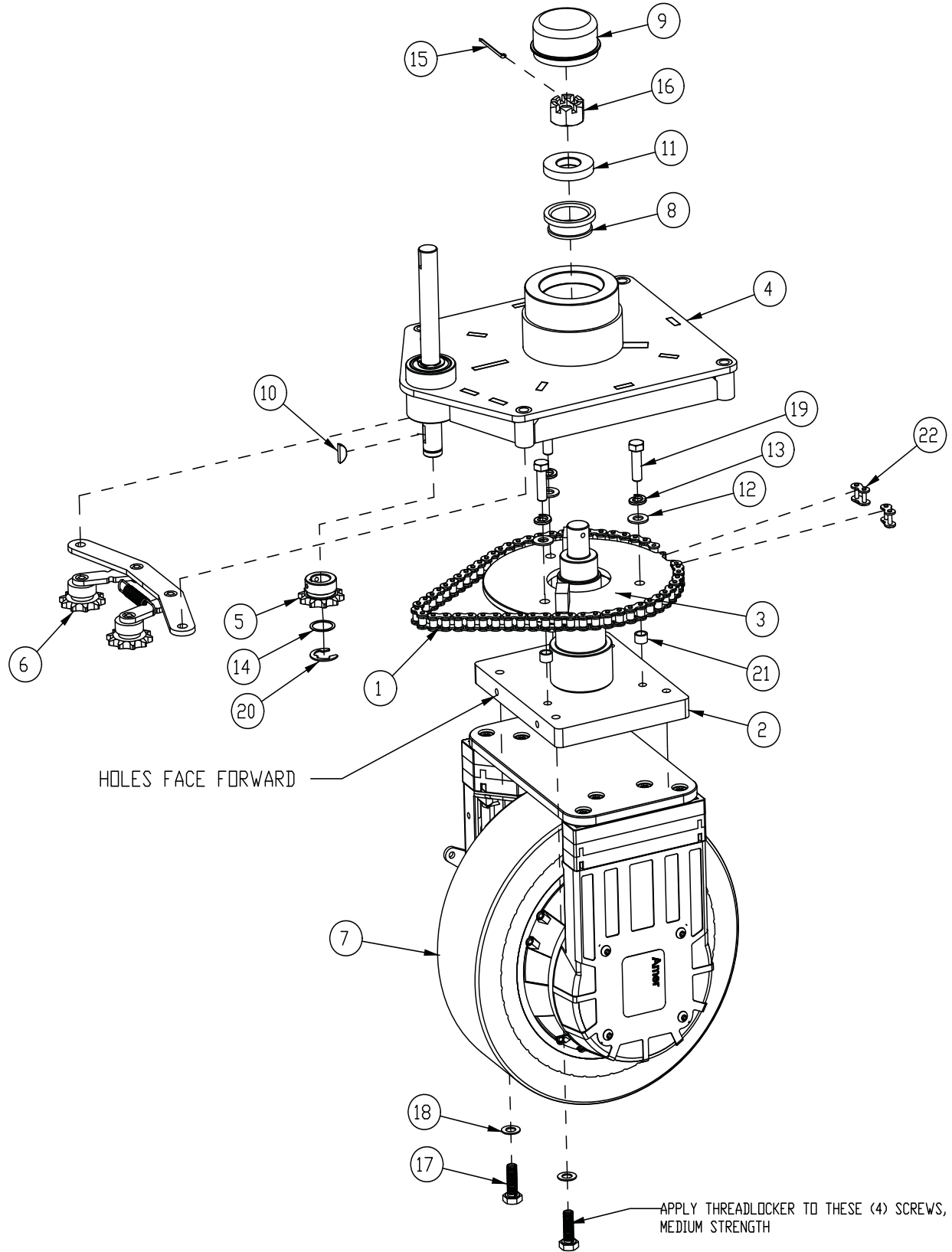
| BILL OF MATERIAL - MAIN ASSEMBLY | | | | | | | |
|----------------------------------|----------|-----|--------------------------------|------|----------|-----|---|
| ITEM | PART # | QTY | DESCRIPTION | ITEM | PART # | QTY | DESCRIPTION |
| 64 | 711371 | 2 | NUT-NYLOC 6-32 ZP | 87 | 711749 | 2 | RET RING-E TYPE .625 |
| 65 | 711319 | 2 | NUT-HEX 5/16-18 ZP | 88 | 711808 | 3 | PIN-HAIRPIN COTTER #13 |
| 66 | 711373 | 2 | NUT-NYLOC 1/4-20 ZP | 92 | 712315 | 4 | WSR-LOCK 5/8 SPLIT ZP |
| 67 | 711374 | 4 | NUT-NYLOC 5/16-18 ZP | 93 | 712667 | 3 | NUT-NYLOC 1/4-20 SS |
| 68 | 711380 | 7 | NUT-NYLOC 3/8-16 ZP | 94 | 712816 | 6 | SCR-THMS 10-24 X .37 ZP |
| 69 | 711445 | 4 | NUT-HEX 5/8 X 11 ZP | 96 | 713043 | 2 | SCR-HH 3/8-16 X 1.25 ZP GR 5 |
| 70 | 711502 | 4 | WSR-FLAT #8 ZP | 97 | 713051 | 1 | SCR-HH 3/8-16 X 3.75 ZP GR 5 |
| 71 | 711505 | 17 | WSR-FLAT 1/4 ZP | 98 | 715901 | 1 | DECAL-WARNING TANK LATCH |
| 72 | 711506 | 20 | WSR-FLAT 5/16 X .688 ZP | 99 | 715908 | 1 | DECAL-DIAGNOSTIC CODES SCVS |
| 73 | 711511 | 4 | WSR-FLAT 5/8 X 1.31 X .09 SS | 100 | 740539 | 1 | METER-HOUR 10-80 VDC |
| 74 | 711515 | 31 | WSR-FLAT 3/8 X .812 X .0625 ZP | 102 | 748200 | 1 | HORN / BACK UP ALARM, 9-48VDC |
| 75 | 711519 | 4 | WSR-FLAT 1/4 X 1.00 X .06 ZP | 103 | 748360 | 1 | FRONT MOTOR CABLE ASSY-ER2832 |
| 76 | 711254-1 | 3 | BLT-CARR 3/8-16 X 2.50 ZP GR 5 | 104 | 809148 | 6 | RET RING-E TYPE .75 |
| 77 | 711542 | 4 | WSR-LOCK #8 SPLIT ZP | 107 | 831965 | 1 | PIN-CLEVIS 3/8 X 1.63 |
| 78 | 711544 | 14 | WSR-LOCK 1/4 SPLIT ZP | 108 | 840118 | 1 | BUSHING-.375 X .625 X .750 ZINC |
| 79 | 711545 | 20 | WSR-LOCK 5/16 SPLIT ZP | 109 | 3400661 | 2 | PIN-COTTER 3/4 RUE-RING |
| 80 | 711546 | 20 | WSR-LOCK 3/8 SPLIT ZP | 112 | 281012M | 1 | SOLUTION TANK ASSY. - E RIDE 2832 |
| 81 | 711504 | 2 | WSR-FLAT 1/4 SS | 113 | 281024E | 1 | STEERING COLUMN COVER, BOTTOM, SCV2832 |
| 82 | 711575 | 5 | WSR-FLAT 1/4 X .75 X .06 ZP | 115 | 281338 | 1 | REAR SQUEEGEE ASM - ERIDE 2832 |
| 83 | 711527 | 2 | WSR-FLAT .63 X 1.12 X .09 | 116 | 281429E | 1 | COVER REAR W/ HOLEHOUR METER ST. COLUMN |
| 84 | 711671 | 1 | PIN-CLEVIS .31 X 2.13 | 117 | 282301E | 1 | STEERING COLUMN ASSY, SCV2832 |
| 85 | 711675 | 2 | PIN-CLEVIS 1/4 X 1 7/8 ZINC | 123 | 748009-1 | 1 | ACTUATOR, W/WEATHER PACK SCV SQUEEGE |



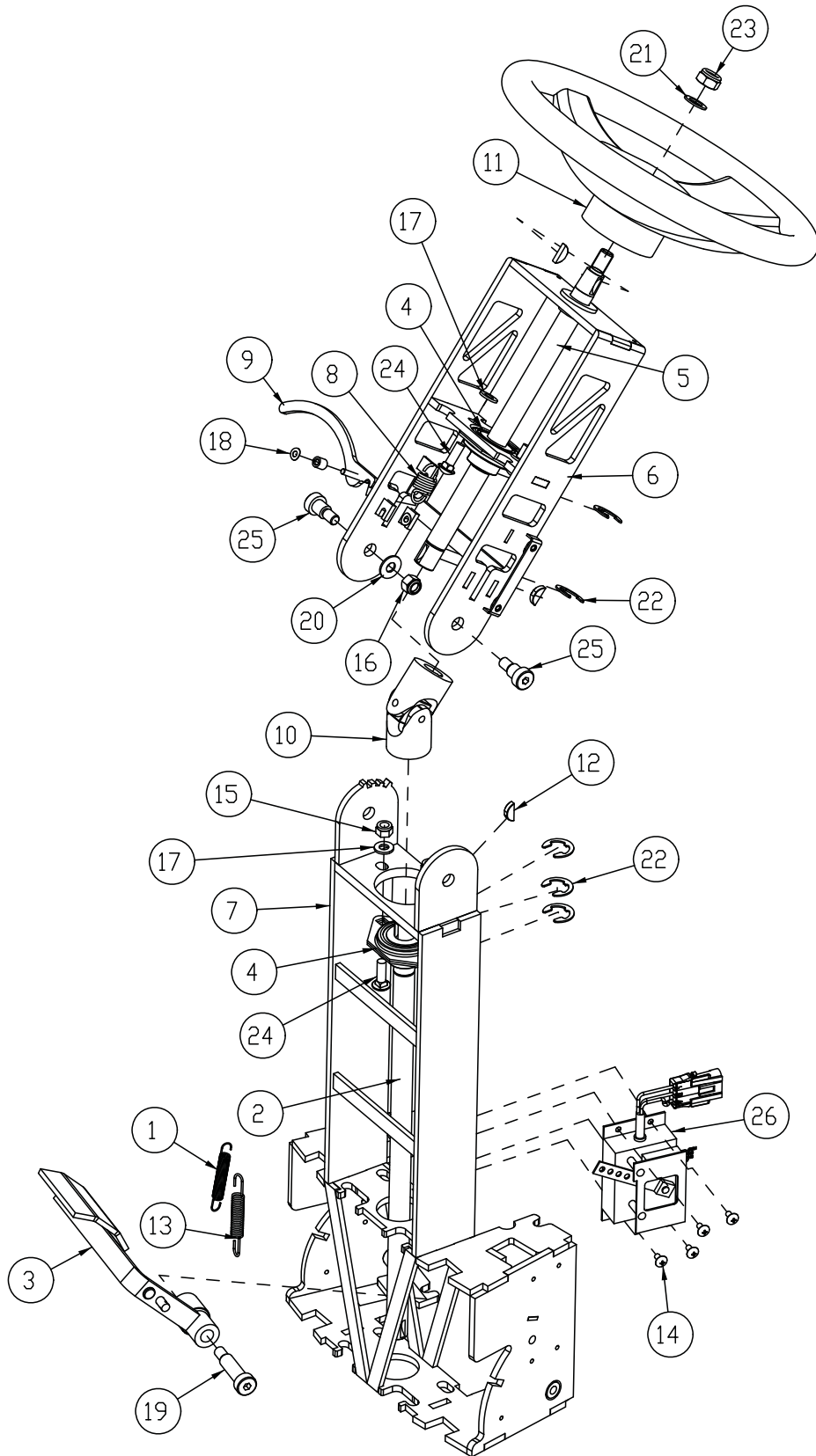
| BILL OF MATERIAL - DECK LINK ASSEMBLY | | | |
|---------------------------------------|----------|-----|-------------------------------------|
| ITEM | PART NO. | QTY | DESCRIPTION |
| 1 | 82-54-A | 1 | CLAMP-P .75 I.D. 5/16 DIA. |
| 2 | 241468 | 1 | WELD-LIFT W/BUSHING LEFT SCV 24/26 |
| 3 | 241470 | 1 | WELD-LIFT W/BUSHING RIGHT SCV 24/26 |
| 4 | 281161 | 1 | ACTUATOR CRANK ASSEMBLY |
| 5 | 281171 | 2 | ACTUATOR LIFT LINK ASSY |
| 6 | 281174 | 1 | SHAFT - LINK ATTACHMENT |
| 7 | 281175 | 1 | LOWER LINK ASSY., LEFT |
| 8 | 281176 | 1 | LOWER LINK ASSY., RIGHT |
| 9 | 281211 | 2 | WSR-SNUBBING |
| 10 | 281300 | 1 | MAIN FRAME - E RIDE 2832 |
| 11 | 281458 | 2 | LINK ATTACHMENT SHAFT |
| 12 | 281459 | 1 | CRANK PIVOT SHAFT |
| 13 | 281471 | 1 | ACTUATOR ATM'T WMT W/ BUSHING ASS'Y |
| 14 | 281477 | 1 | UPPER LINK ASS'Y, LEFT |
| 15 | 281478 | 1 | UPPER LINK ASS'Y, RIGHT |
| 16 | 711228 | 4 | SCR-HH 5/16-18 X .75 ZP GR 5 |
| 17 | 711515 | 3 | WASHER-FLAT 3/8 X .812 X .0625 ZP |
| 18 | 711524 | 9 | WASHER-WAVE .52 X .87 X .01 |
| 19 | 711545 | 4 | WASHER-LOCK 5/16 SPLIT ZP |
| 20 | 711575 | 4 | WASHER-FLAT 1/4 X .75 X .06 ZP |
| 21 | 711583 | 4 | WASHER-WAVE .78 X 1.00 X .02 |
| 22 | 711588 | 7 | WASHER-FLAT 3/4 X 1.00 X .025 ZP |
| 23 | 711678 | 1 | PIN-CLEVIS 3/8 X 2 1/4 ZP |
| 24 | 711713 | 10 | RET RING-E EXT .50 |
| 25 | 711808 | 1 | PIN-HAIRPIN COTTER #13 |
| 26 | 712124 | 1 | PIN-CLEVIS 3/8 X 1 3/4 |
| 27 | 712310 | 10 | WASHER-FLAT .52 X .87 X .06 ZP |
| 28 | 712767 | 1 | WASHER-FLAT .406 X .75 X .035 SS |
| 29 | 740819-2 | 1 | ACTUATOR ASY 50mm 4000N 24/36VDC |
| 30 | 809148 | 6 | RET RING-E TYPE .75 |
| 31 | 833374 | 1 | PIN-HAIRPIN COTTER 3/8 |



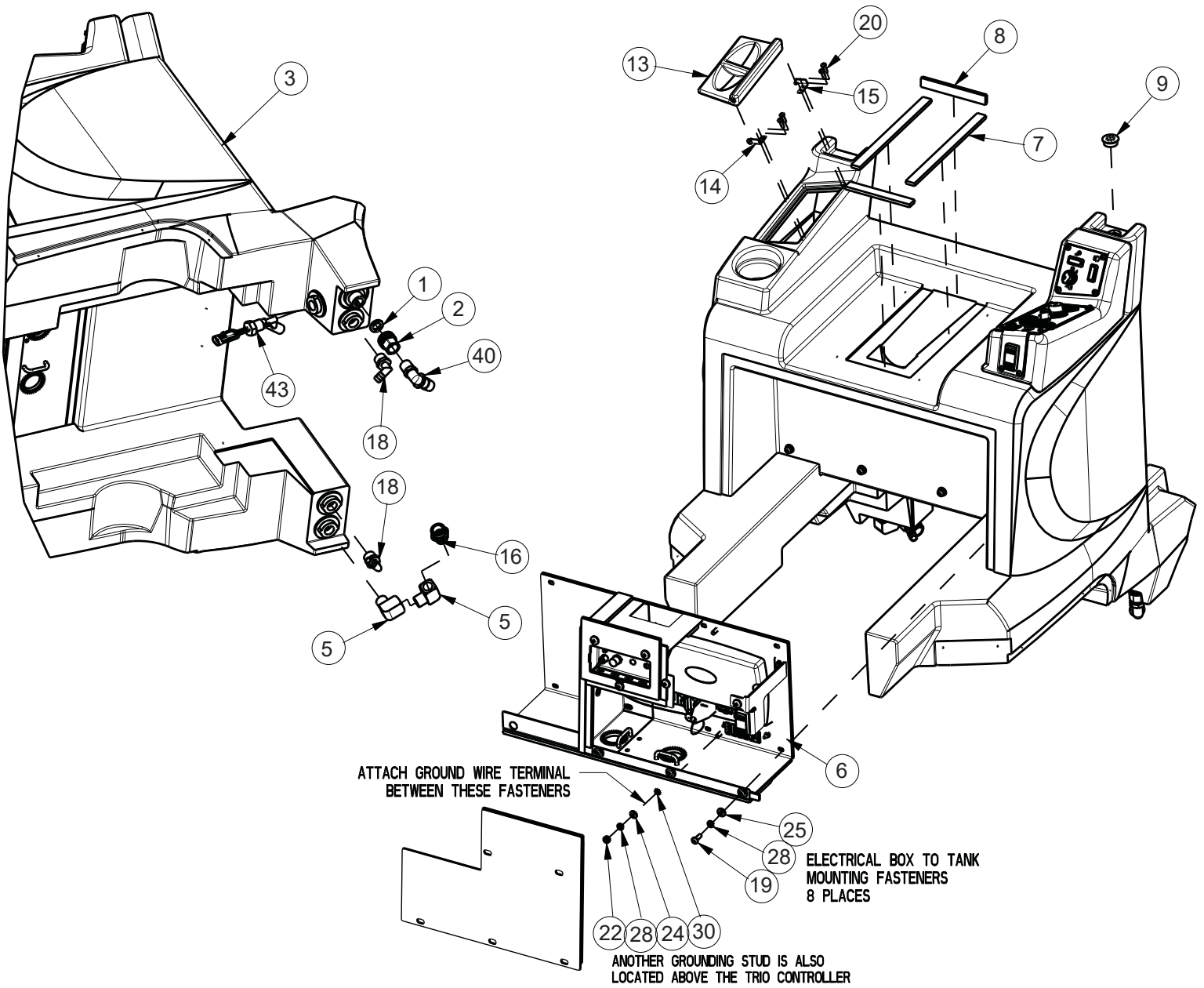
| BILLO OF MATERIAL - 748360 | | | |
|----------------------------|----------|-----|--|
| ITEM | PART NO. | QTY | DESCRIPTION |
| 1 | 950-4-S | 4 | BACK UP PLATE 1/8" STEEL |
| 2 | 281188 | 1 | FRONT BRACKET - CABLE GUIDE, E RIDE 2832 |
| 3 | 281192 | 1 | BRACKET = DRIVE MOTOR |
| 4 | 281237 | 1 | FRONT PLATE |
| 5 | 710154 | 2 | SCR-THMS 10-32 X .625 SS |
| 6 | 711350 | 2 | NUT-NYLOC 10-32 ZP |
| 7 | 712764 | 6 | WASHER-FLAT #10 SS |
| 8 | 748020 | 1 | CONNECTOR-PACKARD 2 PIN MALE |
| 9 | 748219-2 | 1 | CABLE GUIDE, MOUNT BRACKET- BORE |
| 10 | 748219-3 | 1 | CABLE GUIDE, MOUNT BRACKET- PIN |
| 11 | 748344 | 1 | WIRE HARNESS - DRIVE MOTOR, ER2832 |
| 12 | 827666 | 4 | RIVET-POP 1/8 DOME HD, BLK ALUM BODY |

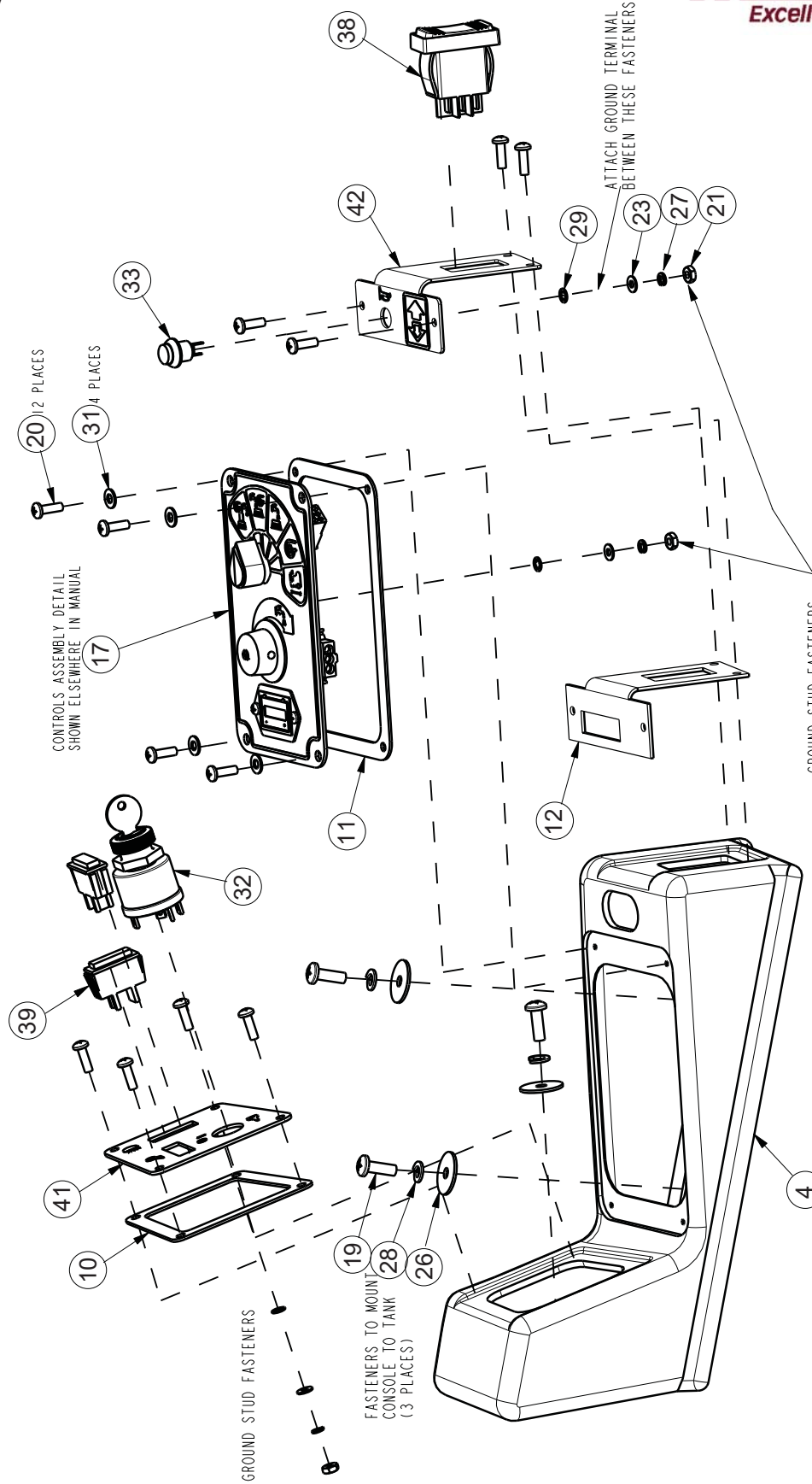


| BILL OF MATERIAL - 281189 | | | |
|---------------------------|----------|-----|---|
| ITEM | PART NO. | QTY | DESCRIPTION |
| 1 | 281054 | 1 | CHAIN, STEERING No. 40, 27.5" |
| 2 | 281190 | 1 | SPINDLE WELDMENT |
| 3 | 281254 | 1 | STEERING DISC WMT |
| 4 | 281257 | 1 | FRONT DRIVE W/ BEARING ASSY |
| 5 | 281268 | 1 | SPROCKET-RC #40, 10 TEETH, 3/4" BORE |
| 6 | 281285 | 1 | IDLER ASSY, FRONT DRIVE |
| 7 | 281400 | 1 | DRIVE MOTOR - AMER |
| 8 | 383077 | 1 | BEARING CONE (LM104949) |
| 9 | 383250 | 1 | GREASE CAP |
| 10 | 383277 | 1 | KEYWOODRUFF 3/16 X 3/4 |
| 11 | 383364 | 1 | THRUST WASHER |
| 12 | 711515 | 3 | WSR-FLAT .406 X .812 X .0625 |
| 13 | 711546 | 3 | WSR-HELICAL 3/8 |
| 14 | 711588 | 1 | WASHER - FLAT , .76 ID X 1.00 OD X .020 |
| 15 | 711807 | 1 | COTTER PIN .12 X 1.75 |
| 16 | 712113 | 1 | CASTLE NUT |
| 17 | 712330 | 4 | METRIC HEX CAP SCREW M10x1.5x30 |
| 18 | 712767 | 4 | FLAT WASHER .406 ID X .75 OD X . |
| 19 | 713043 | 3 | BLT-HH 3/8-16 X 1 1/4 #5 |
| 20 | 809148 | 1 | RETAINING RING - "E" TYPE EXT .75 |
| 21 | 809247 | 3 | STEERING PLATE SPACER |
| 22 | 833629 | 2 | MASTER LINK ASSY |

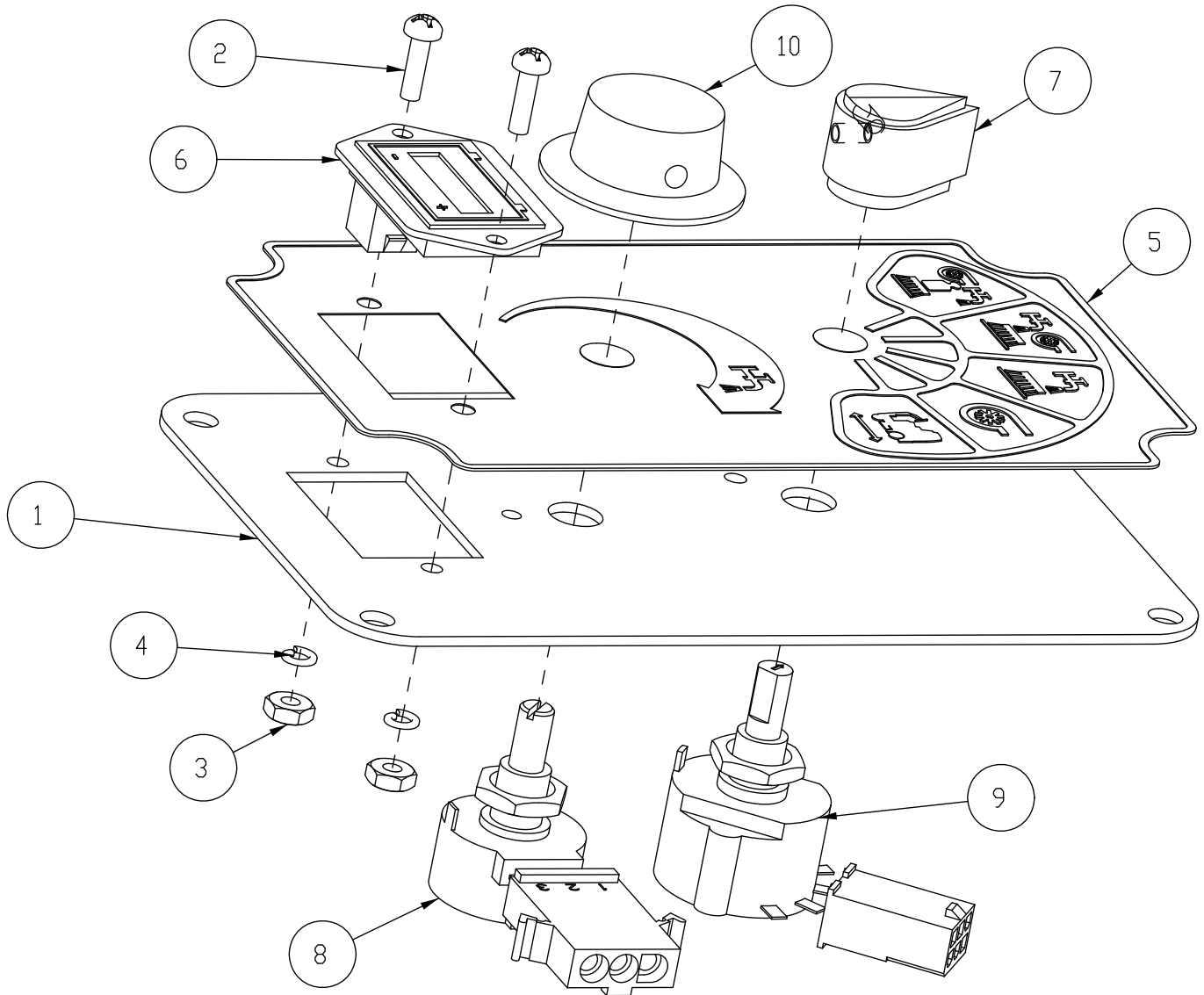


| BILL OF MATERIAL - 282301 | | | |
|---------------------------|-----------|-----|-------------------------------------|
| ITEM | PART NO. | QTY | DESCRIPTION |
| 1 | 281047 | 1 | SPRING, EXTENSION - 2.75" |
| 2 | 281328 | 1 | SHAFT,LOWER STEERING |
| 3 | 281331 | 1 | ACCEL PEDAL WMT |
| 4 | 281392 | 2 | BEARING FLANGE ASSEMBLY 3/4 (MCH) |
| 5 | 281484 | 1 | SHAFT,UPPER ST EERING |
| 6 | 281989 | 1 | STEERING ASSY, TOP |
| 7 | 282302 | 1 | STEERING WELDMENT, LOWER |
| 8 | 282303 | 1 | SPRING - EXTENSION 1.375" F.L. |
| 9 | 282309 | 1 | ADJUSTMENT LEVER AND PIVOT PIN ASSY |
| 10 | 383098 | 1 | UNIVERSAL JOINT |
| 11 | 383152 | 1 | STEERING WHEEL |
| 12 | 383277 | 3 | KEYWOODRUFF 3/16 X 3/4 |
| 13 | 430051 | 1 | RETURN SPRING-3.00" |
| 14 | 710153 | 4 | SCR-MC 10-32X.37 |
| 15 | 711374 | 2 | NUT-NYLOC 5/16-18 |
| 16 | 711380 | 2 | NUT-NYLOC 3/8-16 NUT |
| 17 | 711506 | 4 | WSR-FLT .344 X .690 X .062, STEEL |
| 18 | 711521 | 2 | WSR-WAVE .21 X .44 X .02 |
| 19 | 712102 | 1 | BLT- SHLDR 1/2 X 1-1/2 |
| 20 | 712301 | 2 | WSR-FLAT .37 X .87 X .06 |
| 21 | 712310 | 1 | WSR- FLAT .52 X .87 X .06 PL |
| 22 | 809148 | 5 | RETAINING RING - "E" TYPE EXT .75 |
| 23 | 363-816 | 1 | NUT NYLOC 1/2-20 |
| 24 | 70-516-16 | 4 | BLT-CAR 5/16-18 X 1.00 ZP |
| 25 | 712099PLT | 2 | BLT- SHLDR 1/2 X 1/2 ZINC PLT |
| 26 | 748013-2 | 1 | POTENTIOMETER BOX ASSEMBLY |



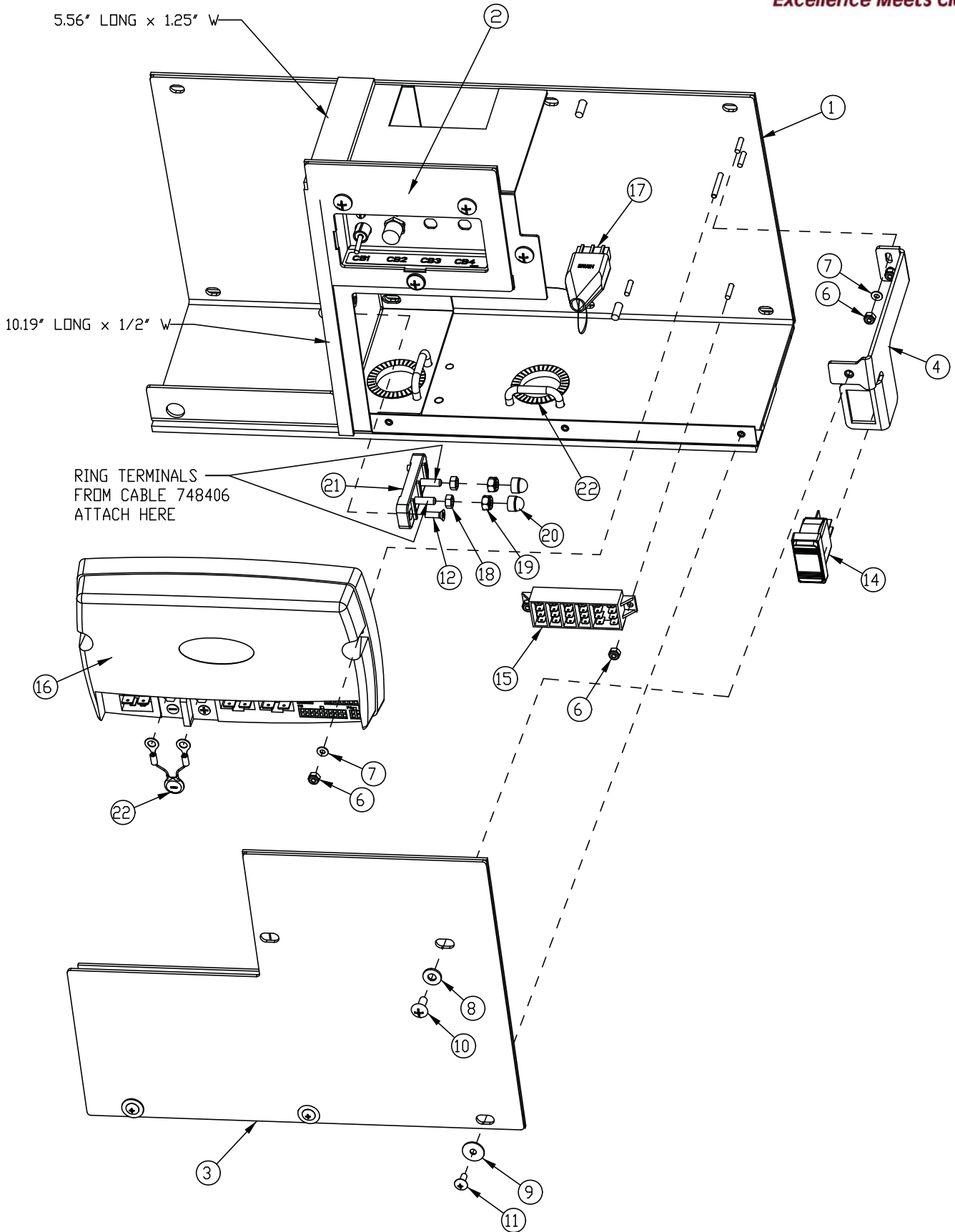


| BILL OF MATERIAL - 281012PB | | | | | | | |
|-----------------------------|--------|-----|---|------|----------|-----|--|
| ITEM | PART # | QTY | DESCRIPTION | ITEM | PART # | QTY | DESCRIPTION |
| 1 | 200024 | 1 | WSR-GH, BLACK PVC | 23 | 711502 | 3 | WSR-FLAT #8 ZP |
| 2 | 241825 | 1 | SWIVEL ADAPTOR - BR, 3/4 FGHT X 1/2 FPT | 24 | 711504 | 2 | WSR-FLAT 1/4 SS |
| 3 | 281002 | 1 | SOLUTION TANK - 2800 | 25 | 711505 | 8 | WSR-FLAT 1/4 ZP |
| 4 | 281005 | 1 | 2800 CONSOLE | 26 | 711519 | 3 | WSR-FLAT 1/4 X 1.00 X .06 ZP |
| 5 | 281093 | 2 | FTG-ELBOW 90 ST 1/2 MPT X 1/2 FPT BRASS | 27 | 711542 | 3 | WSR-LOCK #8 SPLIT ZP |
| 6 | 281220 | 1 | ELECT. BOX ASSY - E RIDE 2832 | 28 | 711544 | 13 | WSR-LOCK 1/4 SPLIT ZP |
| 7 | 281363 | 2 | SEAT GASKET - LONG | 29 | 711552 | 3 | WSR-INT LOCK #8 |
| 8 | 281364 | 2 | SEAT GASKET - SHORT | 30 | 711564 | 2 | WSR-EXT LOCK 1/4 ZP |
| 9 | 281371 | 1 | PLUG-VENT | 31 | 712320 | 4 | WSR-FLAT 20 X .45 X .048 NYLON |
| 10 | 281372 | 1 | GASKET - IGNITION SWITCH PANEL | 32 | 742927 | 1 | SWITCH, KEY 2 POLE |
| 11 | 281373 | 1 | GASKET - MEMBRANE SWITCH | 33 | 748047 | 1 | SWITCH, PUSH BUTTON (HORN SCV 36V) |
| 12 | 281375 | 1 | GASKET - DIRECTION SWITCH | 34 | 748087 | 1 | CABLE ASY, BATTERY CONNECT SCV |
| 13 | 281380 | 1 | COVER-SOLUTION TANK PLASTIC | 35 | 748088 | 1 | 18G RED 6.00" B=26 |
| 14 | 281381 | 1 | SOLN TANK HINGE SUB-ASSY - RIGHT | 36 | 748090 | 1 | 1G RED 20.00" |
| 15 | 281382 | 1 | SOLN TANK HINGE SUB-ASSY -LEFT | 37 | 748126 | 1 | GROUND STRAP, SCV CABINET TO FRAME |
| 16 | 281426 | 1 | COUPLING-3/4" HOSE X 1/2" MPT | 38 | 748151 | 1 | SWITCH, ON-ON DPDT (FWD/REV) |
| 17 | 281498 | 1 | SELECTOR SWITCH ASSEMBLY, SCV2832 | 39 | 748154 | 2 | SWITCH-BLANK .43x1.2 (742716) |
| 18 | 383449 | 2 | FTG-ELBOW 90 1/2 MPT X 1/2 HB BRASS | 40 | 3315536 | 1 | FTG-ELBOW 90 1/2 MPT X 3/4 HB PP |
| 19 | 710380 | 11 | SCR-RHMS 1/4-20 X .75 ZP | 41 | 281378SP | 1 | NLA--KEY SWITCH PLATE SCREEN PRINTED |
| 20 | 711161 | 16 | SCR-HI/LO 10 X .75 BLACK ZINC PAN HD | 42 | 281497SP | 1 | DIRECTION CONTROL PANEL SCRN PRNTSCV2832 |
| 21 | 711304 | 3 | NUT-HEX 8-32 ZP | 43 | 742708-4 | 1 | FLOAT SWITCH, W/WEATHER-PACK |
| 22 | 711316 | 2 | NUT-HEX 1/4-20 ZP | 44 | 748138E | 1 | WIRE HARNESS, SCV2832E FRONT |

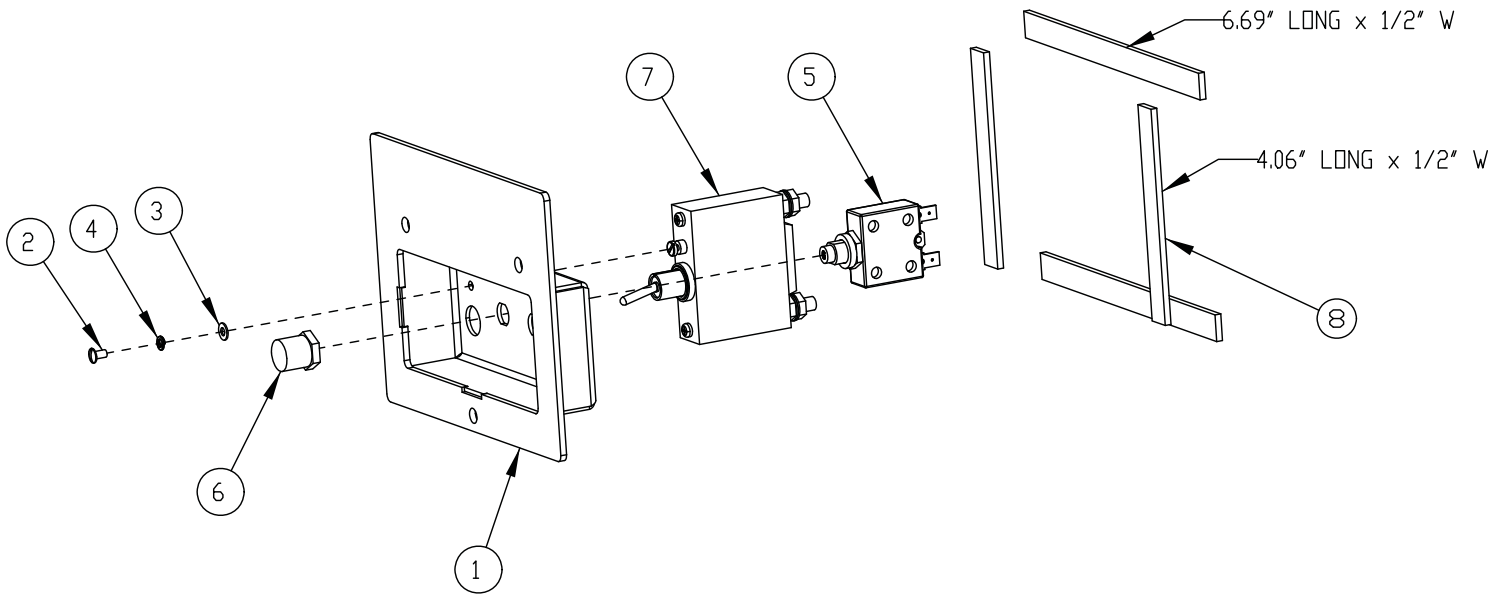


| BILL OF MATERIAL - 281498 | | | |
|---------------------------|----------|-----|---------------------------------|
| ITEM | PART NO. | QTY | DESCRIPTION |
| 1 | 281499 | 1 | BKT , CONTROLS |
| 2 | 710204 | 2 | SCR-M C 6-32 X .50 ST PL PAN HD |
| 3 | 711301 | 2 | NUT -HEX 6-32 ST PL |
| 4 | 711541 | 2 | WSR-HELICAL #6 ST PL |
| 5 | 715455 | 1 | DECAL, CONT ROLS |
| 6 | 747011 | 1 | BATTERY GAUGE, TRUCHARGE |
| 7 | 747020 | 1 | KNOB-M ODE SELECT OR |
| 8 | 747025 | 1 | POTENTIOMETER ASSY WATERFLOW |
| 9 | 747027 | 1 | SWITCH ASSY, MODE SELECTOR |
| 10 | 809874 | 1 | KNOB, SPEED CONTROL |

Electrical Panel Assembly

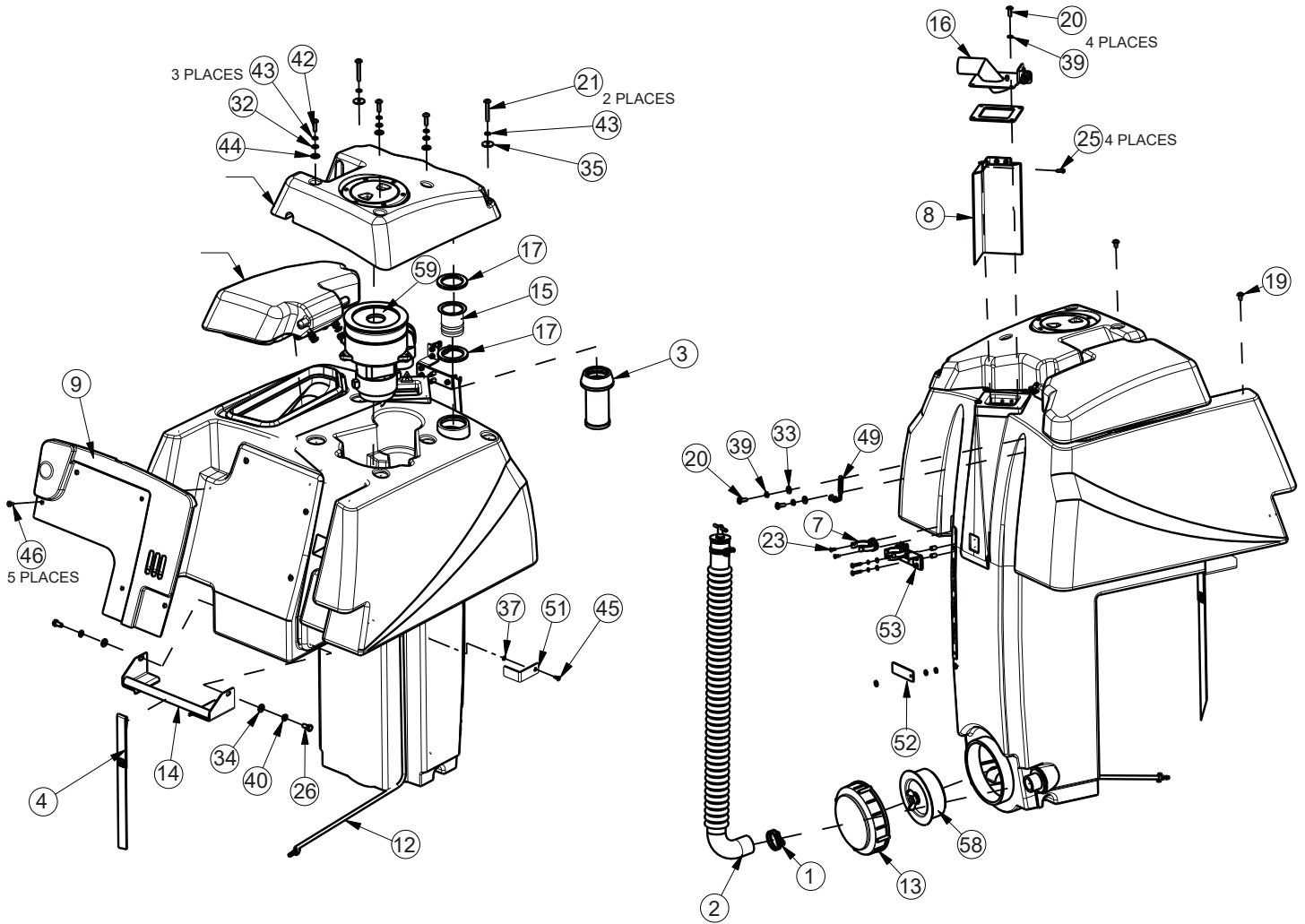


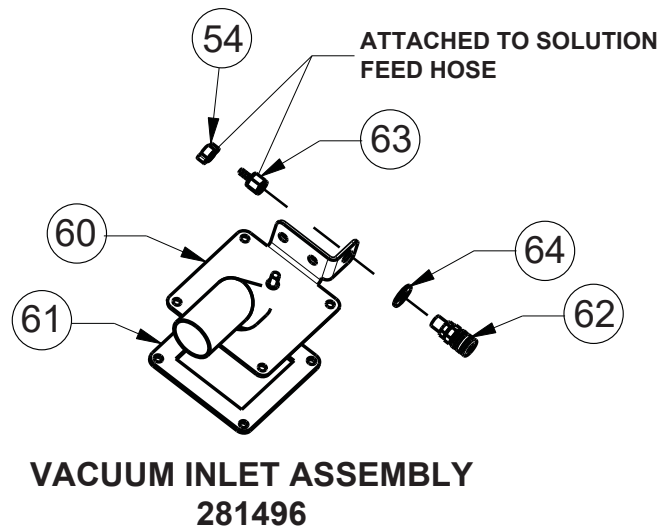
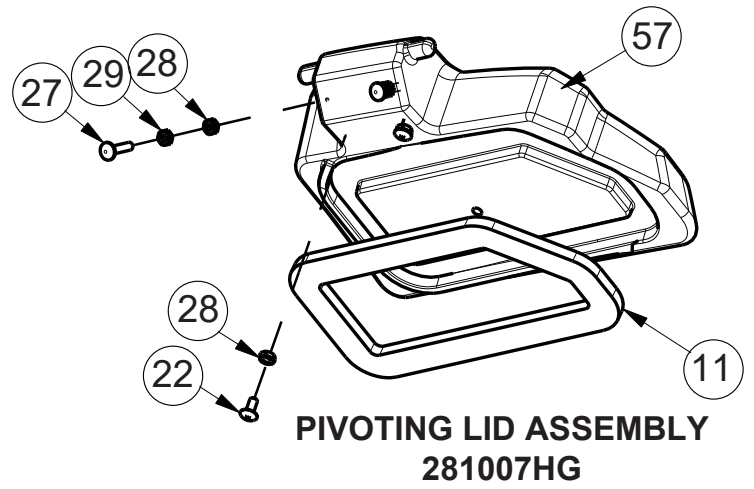
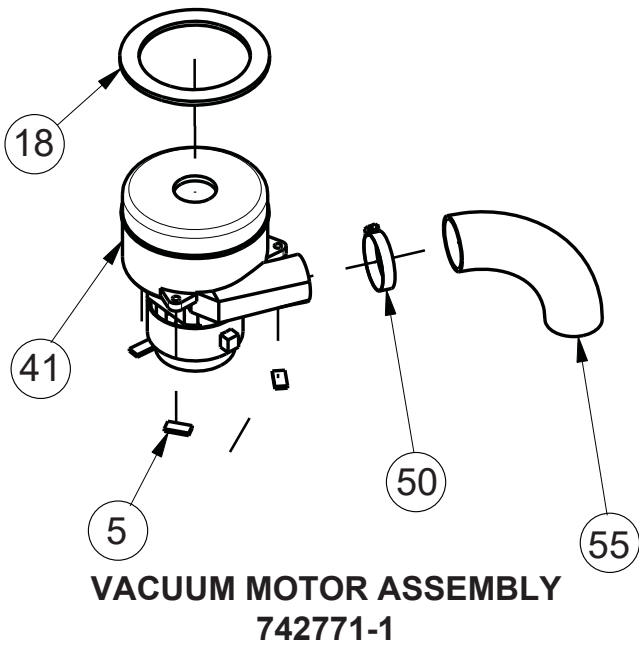
| BILL OF MATERIAL - 281220 | | | |
|---------------------------|----------|-------|---|
| ITEM | PART NO. | QTY | DESCRIPTION |
| 1 | 281229 | 1 | ELECTRICAL BOX WELDMENT - E RIDE 2832 |
| 2 | 281240 | 1 | CIRCUIT BREAKER ASSY. - E RIDE 2832 |
| 3 | 281412 | 1 | ELECTRICAL COVER PANEL |
| 4 | 281982 | 1 | BKT, ELEC BOX, SCV2832 |
| 5 | 711351 | 2 | NUT-ACORN 10-32 NICKEL |
| 6 | 711372 | 6 | NUT-NYLOC 8-32 ZP |
| 7 | 711502 | 4 | WASHER-FLAT #8 ZP |
| 8 | 711505 | 5 | WASHER-FLAT 1/4 ZP |
| 9 | 711748 | 3 | WASHER-FLAT #10 X .75 SS |
| 10 | 712565 | 5 | SCR-THMS 1/4-20 X .62 SS |
| 11 | 712822 | 3 | SCR-THMS 10-24 X .50 SS |
| 12 | 712826 | 2 | SCR-FHMS 10-32 X .625 ZP |
| 13 | 715641 | 1 | DECAL - CIRCUIT BREAKERS, E-RIDE E-BOX |
| 14 | 748152 | 1 | SW DPDT MOMENTARY ON-OFF-ON SCV2832E DE |
| 15 | 748153 | 1 | TERMINAL BLOCK-C=4 P=4/C=1 P=8 |
| 16 | 748400 | 1 | CONTROLLER, TRIO PLUS ER2832 36VDC 100A |
| 17 | 748406 | 1 | WIRE ASY, BRUSH MOTOR ER2832 |
| 18 | 12022042 | 2 | NUT-HEX M6 X 1.0 STL ZD CL8 DIN 934 |
| 19 | 12040044 | 2 | NUT-NYLOC M6 X 1.0 ZP CLASS 6 |
| 20 | 15592025 | 2 | CAP, SAFETY NUT COVER M6 |
| 21 | 90286238 | 1 | TERMINAL BLOCK, 2 STUD M6 63A |
| 22 | 748269-1 | 1 | VARISTOR ASY, RING TERMINALS 1/4" |
| 22 | 281449 | 0.74 | SERRATED GROMMET STRIP - .187IN |
| 23 | 806006 | 0.43 | GASKET, .25 X 1.25 X 74 |
| 23 | 830557 | 11.09 | DORTITE 1/2 INCH RM 1 F |



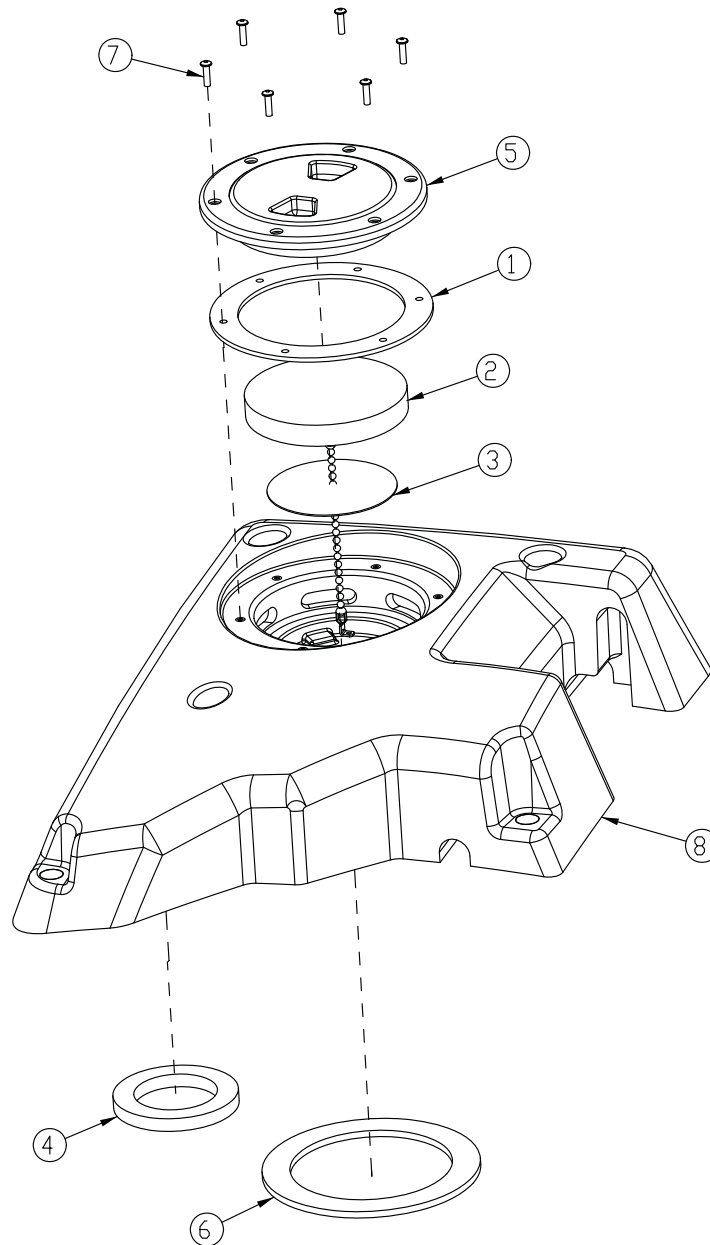
| BILL OF MATERIAL - 281240 | | | |
|---------------------------|----------|------|-------------------------------------|
| ITEM | PART NO. | QTY | DESCRIPTION |
| 1 | 281233 | 1 | CIRCUIT BREAKER WELDMENT |
| 2 | 710202 | 1 | SCR-PHMS 6-32 X .25 ZP |
| 3 | 711501 | 1 | WASHER-FLAT #6 X .375 ZP |
| 4 | 711541 | 1 | WASHER-LOCK #6 SPLIT ZP |
| 5 | 742350 | 1 | CIRCUIT BREAKER- 6.0AMP PUSH BUTTON |
| 6 | 742748 | 1 | CIRCUIT BREAKER-BOOT |
| 7 | 748012 | 1 | CIRCUIT BREAKER- 100A |
| 8 | 830557 | 1.67 | DORTITE 1/2 INCH RM 1 F |

Recovery Tank Assembly I

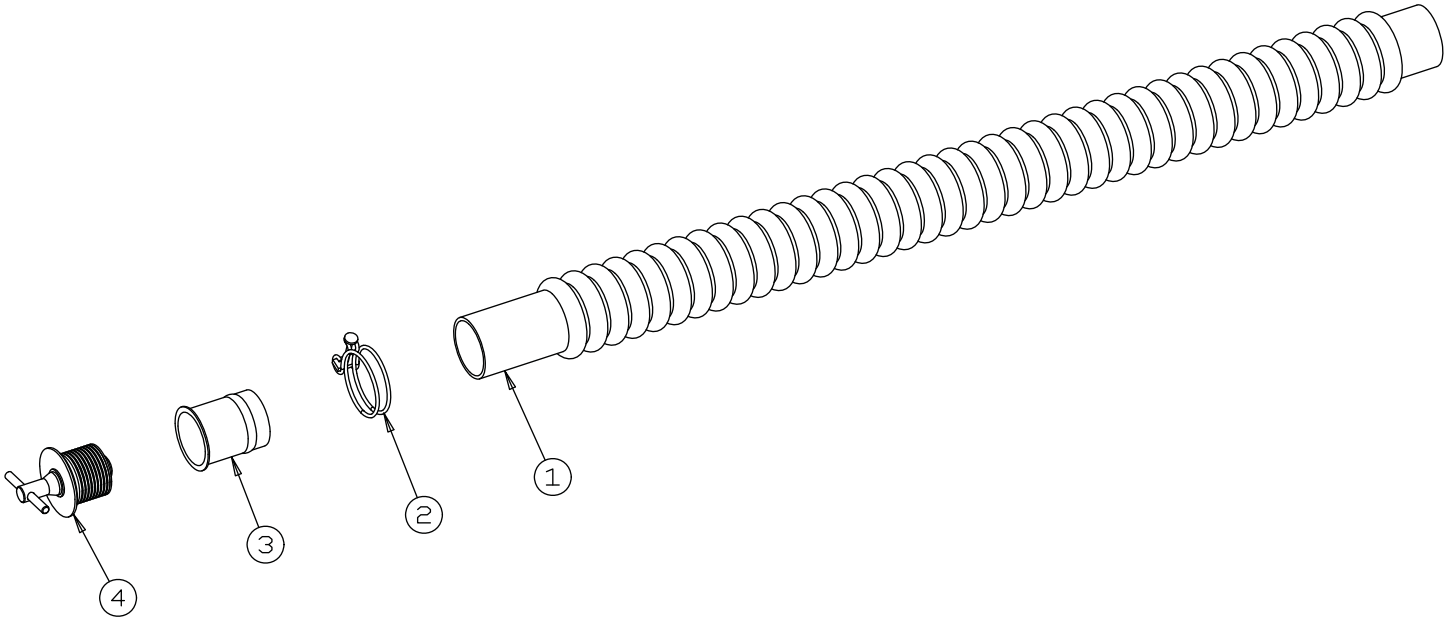




| BILL OF MATERIAL - 281010M | | | | | | | |
|----------------------------|---------|-----|--------------------------------------|------|----------|-----|--|
| ITEM | PART # | QTY | DESCRIPTION | ITEM | PART # | QTY | DESCRIPTION |
| 1 | 3303255 | 1 | CLAMP-HOSE 1.75 DIA NOMINAL | 34 | 711506 | 2 | WASHER-FLAT 5/16 X .688 ZP |
| 2 | 200289 | 1 | DUMP HOSE ASM | 35 | 711519 | 2 | WASHER-FLAT 1/4 X 1.00 X .06 ZP |
| 3 | 241060 | 1 | FLOAT, SCREENED W/ BALL | 37 | 711534 | 3 | WASHER-EXT LOCK #10 ZP |
| 4 | 241433 | 1 | STRAP-SAFETY, REC TANK | 39 | 711544 | 6 | WASHER-LOCK 1/4 SPLIT ZP |
| 5 | 241748 | 3 | ISOLATOR PADS - 1" LENGTH | 40 | 711545 | 2 | WASHER-LOCK 5/16 SPLIT ZP |
| 7 | 260579 | 1 | CLIP-TOOL 1.5 INCH HOSE | 42 | 712541 | 3 | SCR-THMS 1/4-20 X 1.00 SS |
| 8 | 281019 | 1 | DEFLECTOR | 43 | 712758 | 5 | WASHER-LOCK 1/4 SPLIT SS |
| 9 | 281099 | 1 | WIRE COVER | 44 | 712767 | 3 | WASHER-FLAT .406 X .75 X .035 SS |
| 10 | 281219 | 1 | FIXED LID SUB ASSY. - E RIDE 2832 | 45 | 712820 | 3 | SCR-MC FL HD 10-24 X .50 BLK-OX |
| 11 | 281358 | 1 | GASKET, MOVABLE LID - SCV | 46 | 712822 | 5 | SCR-THMS 10-24 X .50 SS |
| 12 | 281391 | 1 | SOL. FEED HOSE OFF AISLE SUB-ASSY | 47 | 715717 | 1 | DECAL-OVERFILL SIGHT GAUGE (NOT SHOWN) |
| 13 | 281432 | 1 | CAP, 6 INCH CLEAN OUT SCV | 48 | 748199 | 1 | WIRE ASSY, RECOVERY TANK-VAC (NOT SHOWN) |
| 14 | 281437 | 1 | STRAP HOLDER WMT | 49 | 760286 | 1 | WIRE FORMED HOOK |
| 15 | 281439 | 1 | TUBE-SHUTOFF FLANGE | 50 | 760859 | 1 | CLAMP-HOSE, 2" |
| 16 | 281496 | 1 | VAC INLET ASSEMBLY, SCV2832 | 51 | 811022 | 3 | BRACKET, TANK SC2832 |
| 17 | 281950 | 2 | GASKET-FLOAT CAGE | 52 | 811024 | 1 | BRACKET, HOSE SC2832 |
| 18 | 380035 | 1 | GASKET, 4.31 X 5.81 X.19 | 53 | 811026 | 1 | ASM, TOOL MOUNT SC2832 |
| 19 | 710178 | 2 | SCR-THMS 1/4-20 X .50 ZP | 54 | 830082 | 1 | CLAMP-HOSE 3/8 |
| 20 | 710180 | 6 | SCR-THMS 1/4-20 X .75 ZP | 55 | 833191 | 1 | HOSE RUBBER FLEX 2X9 |
| 21 | 710190 | 2 | SCR-THMS 1/4-20 X 2 SS | 56 | 281003E | 1 | RECOVERY TANK - SCV2832 |
| 22 | 710197 | 2 | SCR-THMS 5/16-18 X .75 ZP | 57 | 281007HG | 1 | LID - PIVOTING, E RIDE 2832 |
| 23 | 710530 | 2 | SCR-FHMS 8-32 X .50 BRASS | 58 | 281444-1 | 1 | STOPPER PLUG ASSEMBLY |
| 25 | 711161 | 4 | SCR-HI/LO 10 X .75 BLACK ZINC PAN HD | 59 | 742771-1 | 1 | VACUUM MOTOR ASY, ER2832 NON-CE |
| 26 | 711227 | 2 | SCR-HH 5/16-18 X .62 ZP GR 5 | 60 | 281490 | 1 | VAC INLET WMT, SCV2832 |
| 27 | 711256 | 2 | BLT-CARR 5/16-18 X 1.50 SS | 61 | 281951 | 1 | DIVERTER BOTTOM GASKET |
| 28 | 711319 | 4 | NUT-HEX 5/16-18 ZP | 62 | 450221 | 1 | COUPLER-QUICK CONNECT, 1/8MPT |
| 29 | 711420 | 2 | NUT-JAM 5/16-18 ZP | 63 | 450223 | 1 | FTG-ADAPTER 1/8 FPT X 1/8 HB BRASS |
| 32 | 711504 | 3 | WASHER-FLAT 1/4 SS | 64 | 711515 | 1 | WASHER-FLAT 3/8 X .812 X .0625 ZP |
| 33 | 711505 | 2 | WASHER-FLAT 1/4 ZP | | | | |

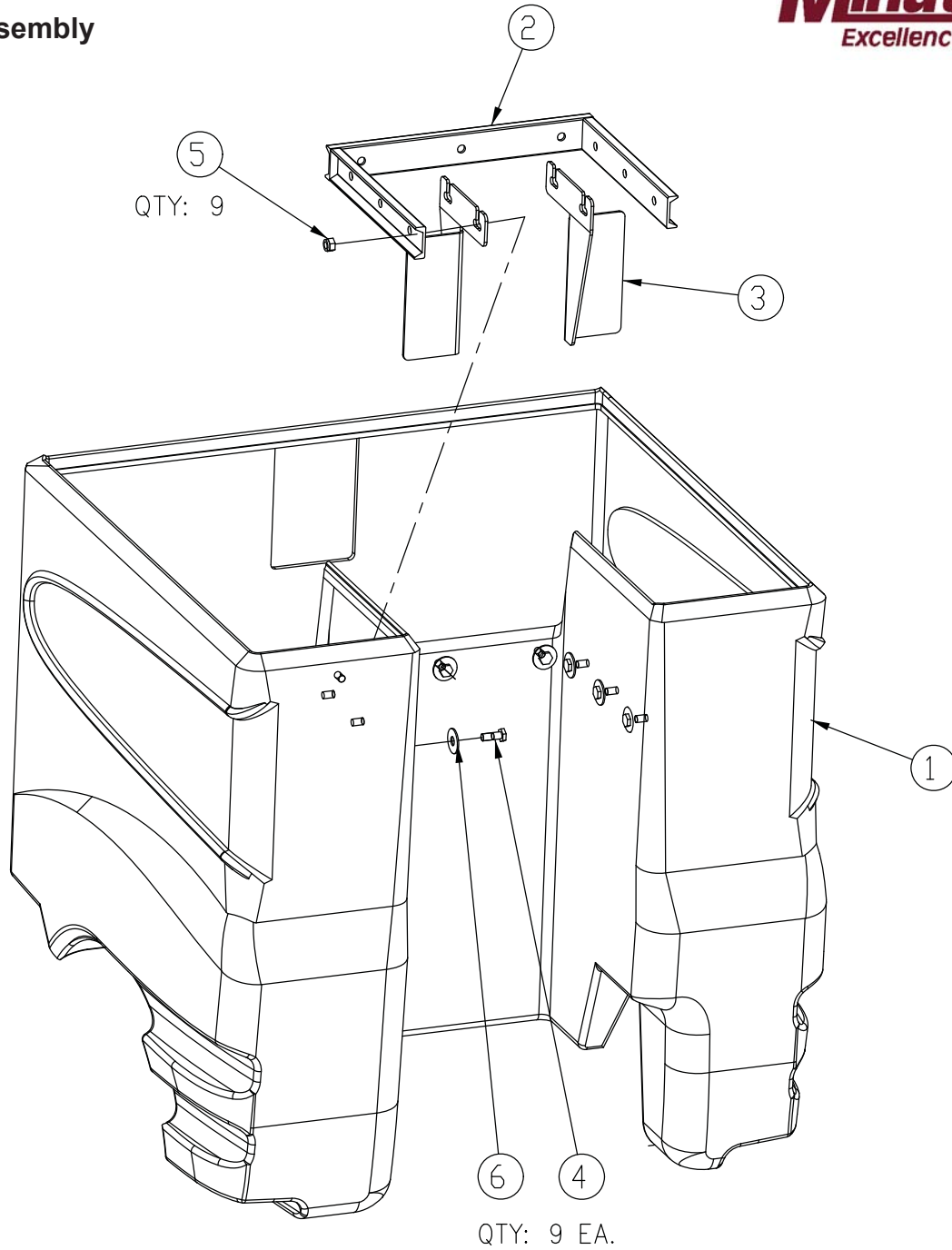


| BILL OF MATERIAL - 281219 | | | |
|---------------------------|----------|-----|---------------------------------|
| ITEM | PART NO. | QTY | DESCRIPTION |
| 1 | 281018 | 1 | GASKET , NEO 6.00 X 4.50 X .125 |
| 2 | 281055 | 1 | VAC MOTOR FILTER |
| 3 | 281056 | 1 | VAC MOTOR INLET SCREEN |
| 4 | 281073 | 1 | INLET GASKET |
| 5 | 281423 | 1 | FILL CAP W/CHAIN ASSY 4.00 |
| 6 | 380035 | 1 | MOTOR GASKET |
| 7 | 712516 | 6 | SCR-BHCS #8-32 x .62 SS |
| 8 | 281006HG | 1 | LID - FIXED |



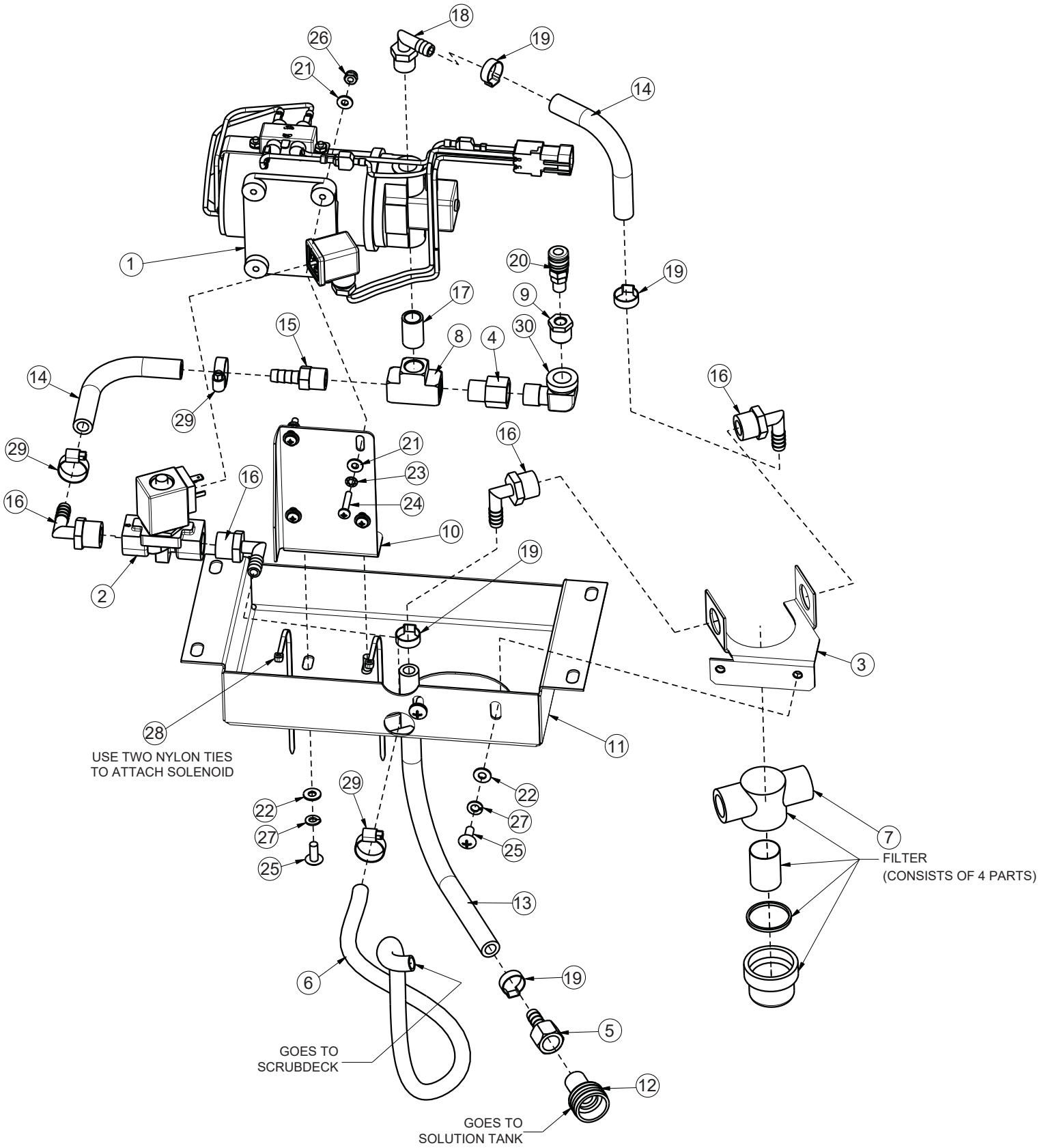
| BILL OF MATERIAL - 200289 | | | |
|---------------------------|----------|-----|-----------------------------|
| ITEM | PART NO. | QTY | DESCRIPTION |
| 1 | 200198 | 1 | DUMP HOSE |
| 2 | 3303255 | 1 | CLAMP-HOSE 1.75 DIA NOMINAL |
| 3 | 760343 | 1 | TUBE, HOSE - 24/32B |
| 4 | 833316 | 1 | DRAIN PLUG |

Battery Box Assembly

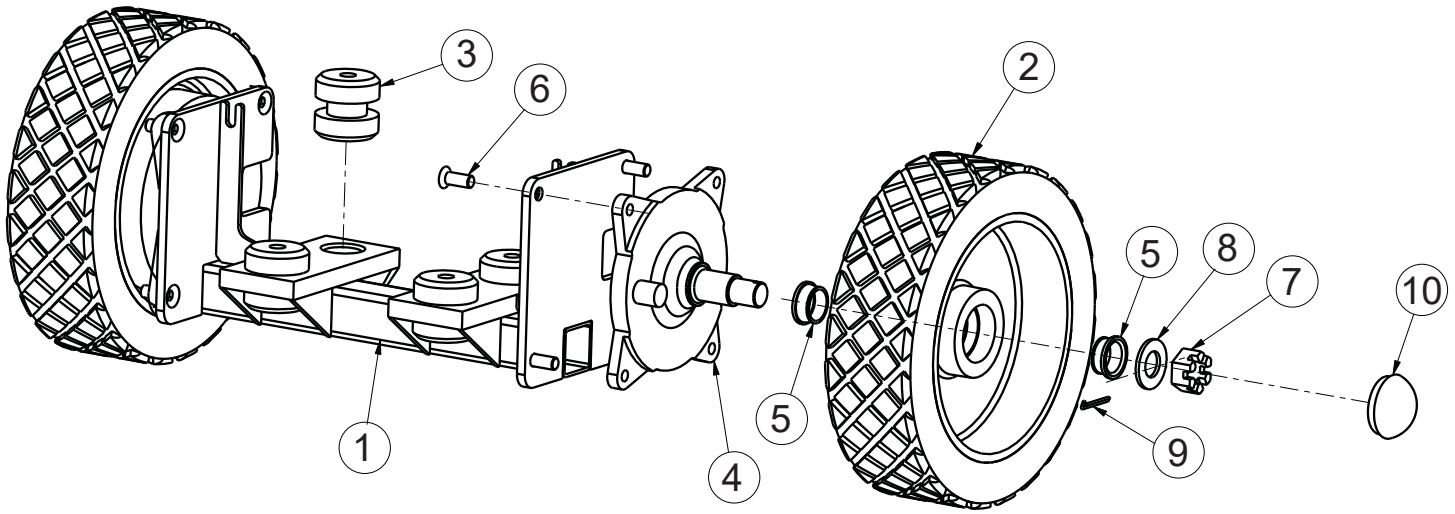


BILL OF MATERIAL - 281014

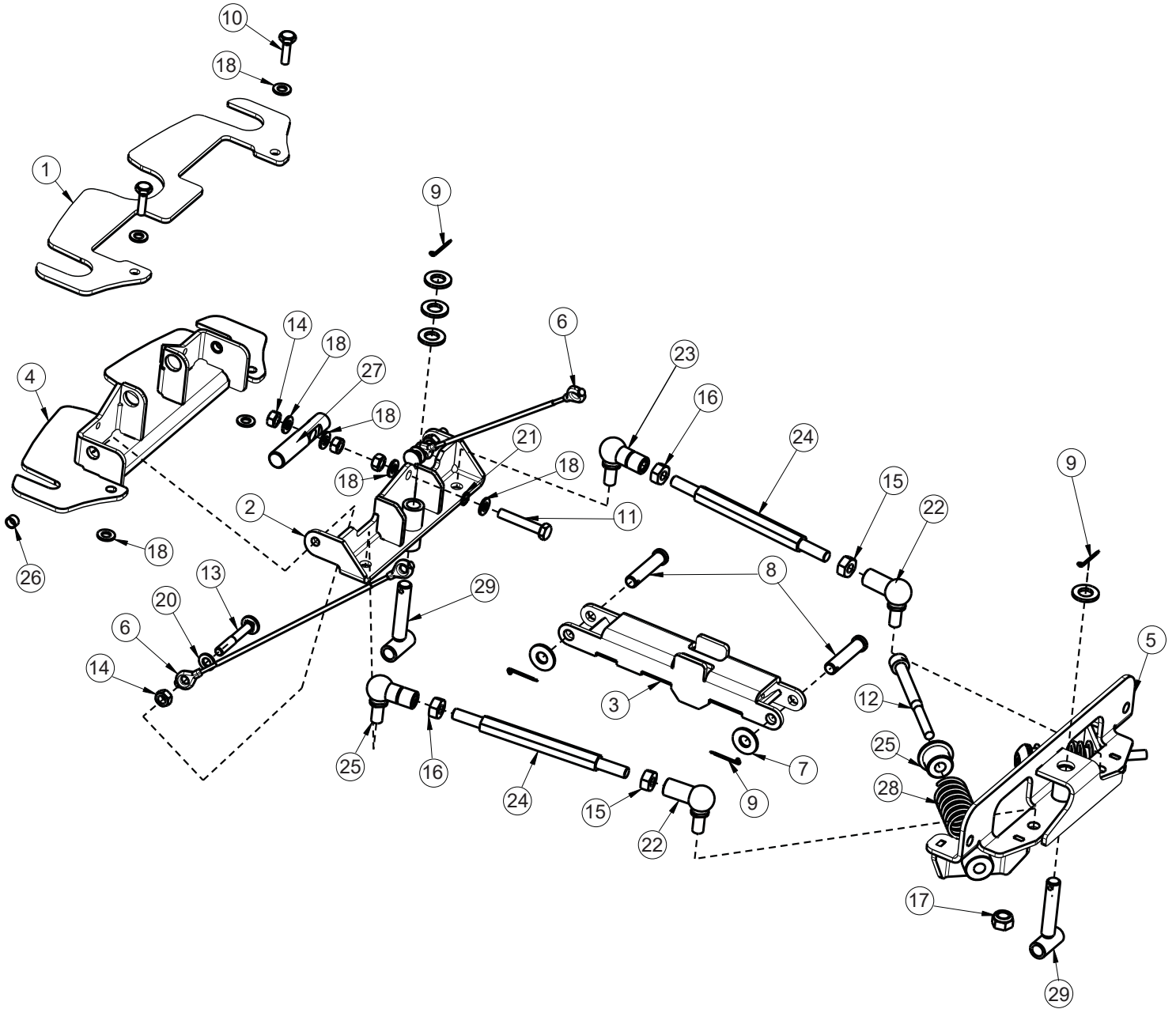
| ITEM | PART NO. | QTY | DESCRIPTION |
|------|----------|-----|----------------------------|
| 1 | 281004 | 1 | BATTERY TRAY- 2800 |
| 2 | 281059 | 1 | BATTERY BOX STIFFENER WM'T |
| 3 | 281672 | 2 | BKT, BATTERYSTOP |
| 4 | 711229 | 9 | BLT-HH 5/16-18 x .875 |
| 5 | 711374 | 9 | NUT-NYLOC 5/16-18 |
| 6 | 711507 | 9 | WSR-FLAT .37 X 1.12 X .06 |



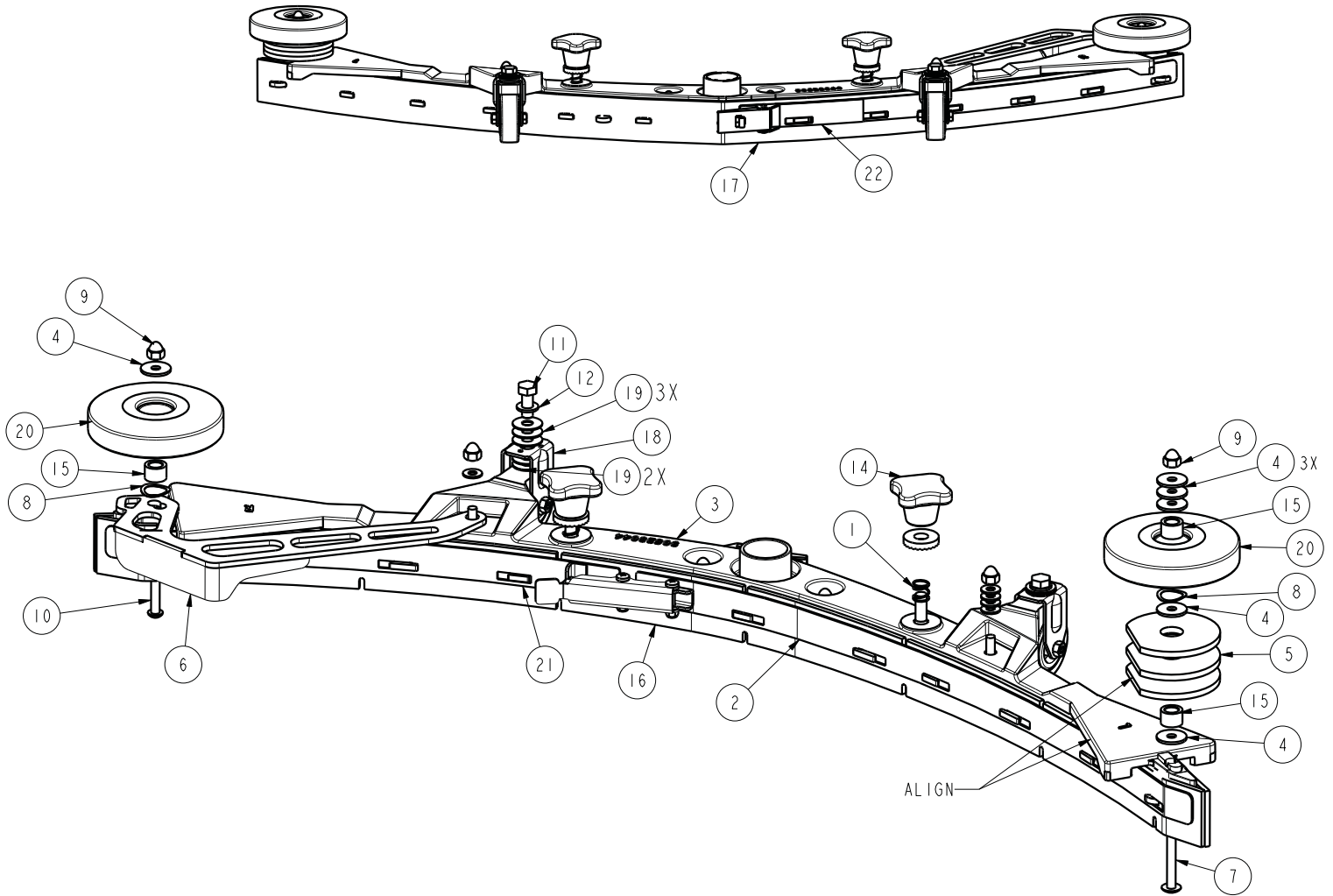
| BILL OF MATERIAL - 281214 | | | |
|---------------------------|----------|-------|--|
| ITEM | PART NO. | QTY | DESCRIPTION |
| 1 | 742709-6 | 1 | PUMP ASY- ER2832 NO CE COMPONENTS |
| 2 | 748390 | 1 | SOLENOID, 36VDC VITON DIN43650 |
| 3 | 281388 | 1 | FILTER MTG PLATE |
| 4 | 210409 | 1 | FTG-ADAPTER 3/8 MPT X 3/8 FPT BRASS |
| 5 | 210410 | 1 | FTG-ADAPTER 3/8 FPT X 3/8 HB BRASS |
| 6 | 241097 | 1 | HOSE-WIRE REINF 3/8 X 31" |
| 7 | 281089 | 1 | FILTER-INLINE |
| 8 | 281090 | 1 | FTG-TEE 3/8 FPT X 3/8 FPT X 3/8 FPT BRAS |
| 9 | 281091 | 1 | FTG-REDUCER 3/8 MPT X 1/8 FPT BRASS |
| 10 | 281368 | 1 | PUMP MOUNT PLATE |
| 11 | 281369 | 1 | PUMP SUPPORT PLATE |
| 12 | 281425 | 1 | SW-SWIVEL CONNECTOR-3/4 GHT X 3/8 MPT |
| 13 | 320251 | 1 | HOSE-WIRE REINF 3/8 X 12" |
| 14 | 320254 | 2 | HOSE-WIRE REINF 3/8 X 9" |
| 15 | 342430 | 1 | FTG-ADAPTER 3/8 MPT X 3/8 HB BRASS |
| 16 | 383327 | 4 | FTG-ELBOW 90 1/2 MPT X 3/8 HB PP |
| 17 | 383332 | 1 | FTG-NIPPLE 3/8 MPT BRASS |
| 18 | 450040 | 1 | FTG-ELBOW 90 3/8 MPT X 3/8 HB NYLON |
| 19 | 450076 | 4 | CLAMP-HOSE 5/8 (.590-.791) SS |
| 20 | 450221 | 1 | COUPLER-QUICK CONNECT, 1/8MPT |
| 21 | 711503 | 8 | WASHER-FLAT #10 X .50 ZP |
| 22 | 711504 | 4 | WASHER-FLAT 1/4 SS |
| 23 | 711553 | 4 | WASHER-INT TOOTH LOCK #10 ZP |
| 24 | 712531 | 4 | SCR-FHMS 10-24 X 1.00 SS |
| 25 | 712565 | 4 | SCR-THMS 1/4-20 X .62 SS |
| 26 | 712638 | 4 | NUT-NYLOC 10-24 SS |
| 27 | 712758 | 4 | WASHER-LOCK 1/4 SPLIT SS |
| 28 | 828062 | 2 | CABLE TIE LARGE |
| 29 | 829129 | 3 | CLAMP-HOSE WORM-DRV8-22MM HOSE DIA. 5/16 |
| 30 | 830062 | 1 | FTG-ELBOW 90 3/8 MPT X 3/8 FPT BRASS |
| 31 | 829552 | 0.04 | TAPE-TEFLON PIPE 1/2" |
| 32 | 000730 | 0.005 | SEAL-THREAD HL150 (50ML) |



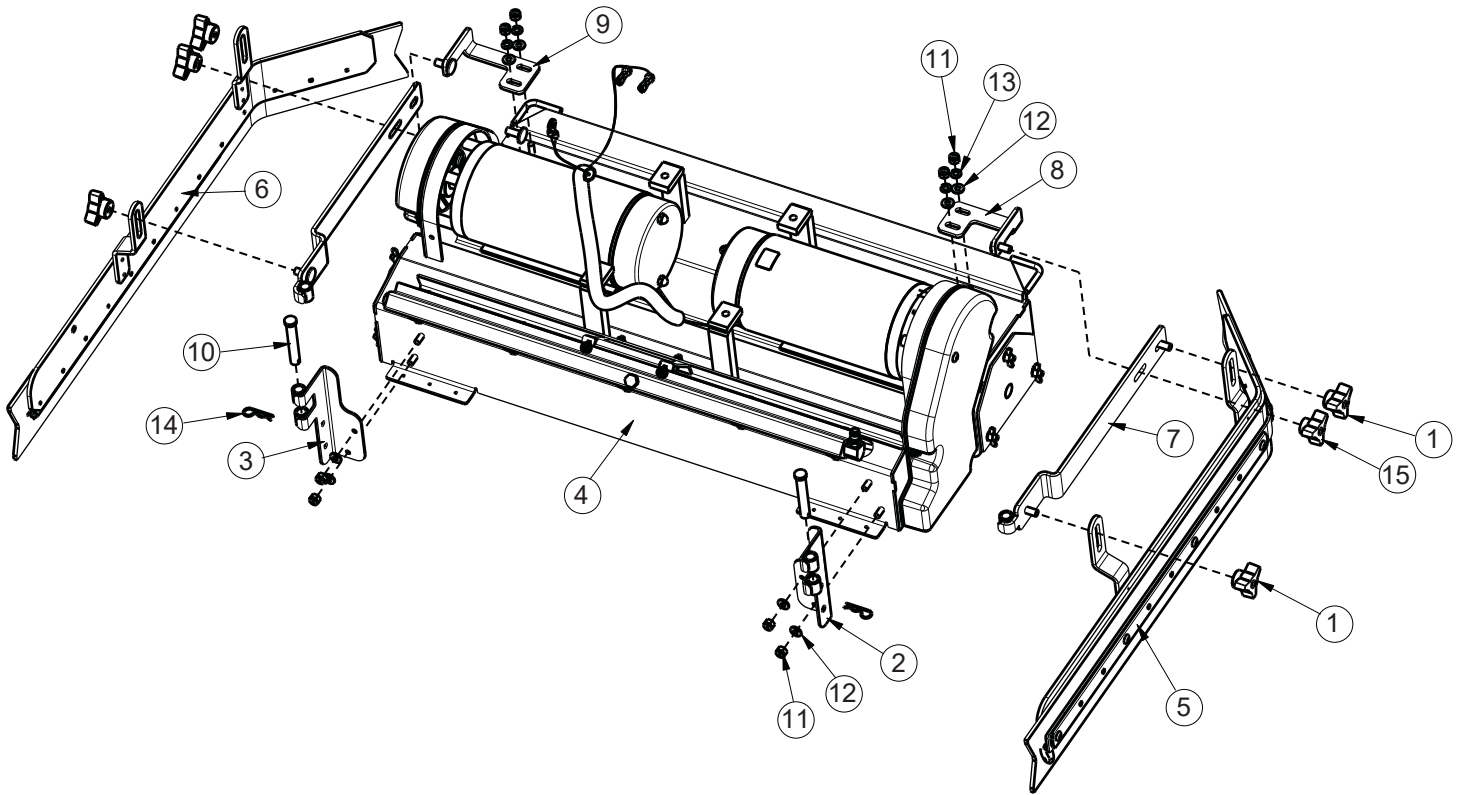
| BILL OF MATERIAL - 281201E | | | |
|----------------------------|------------|-----|--------------------------------------|
| ITEM | PART NO. | QTY | DESCRIPTION |
| 1 | 281202 | 1 | REAR AXLE WMT |
| 2 | 281210 | 2 | REAR WHEEL ASSY |
| 3 | 281213 | 4 | RING & BUSHING ISOLATOR |
| 4 | 281460 | 2 | AXLE CASTING, REAR - SCV 28/32E |
| 5 | 3300471 | 4 | BEARING-TAPERED ROLCONE W/SEAL |
| 6 | 711169 | 8 | SCR-1/2-20 X 1.25 SOCKET FH W/ PATCH |
| 7 | 711450 | 2 | NUT-SLOTTED, 1-14 UNS |
| 8 | 711514 | 2 | WSR-FT 1.0 ID X 2.0 OD |
| 9 | 380-632-20 | 2 | 3/16 COTTER PIN |
| 10 | 383241PTD | 2 | GREASE CAP WHEEL-PAINTED |



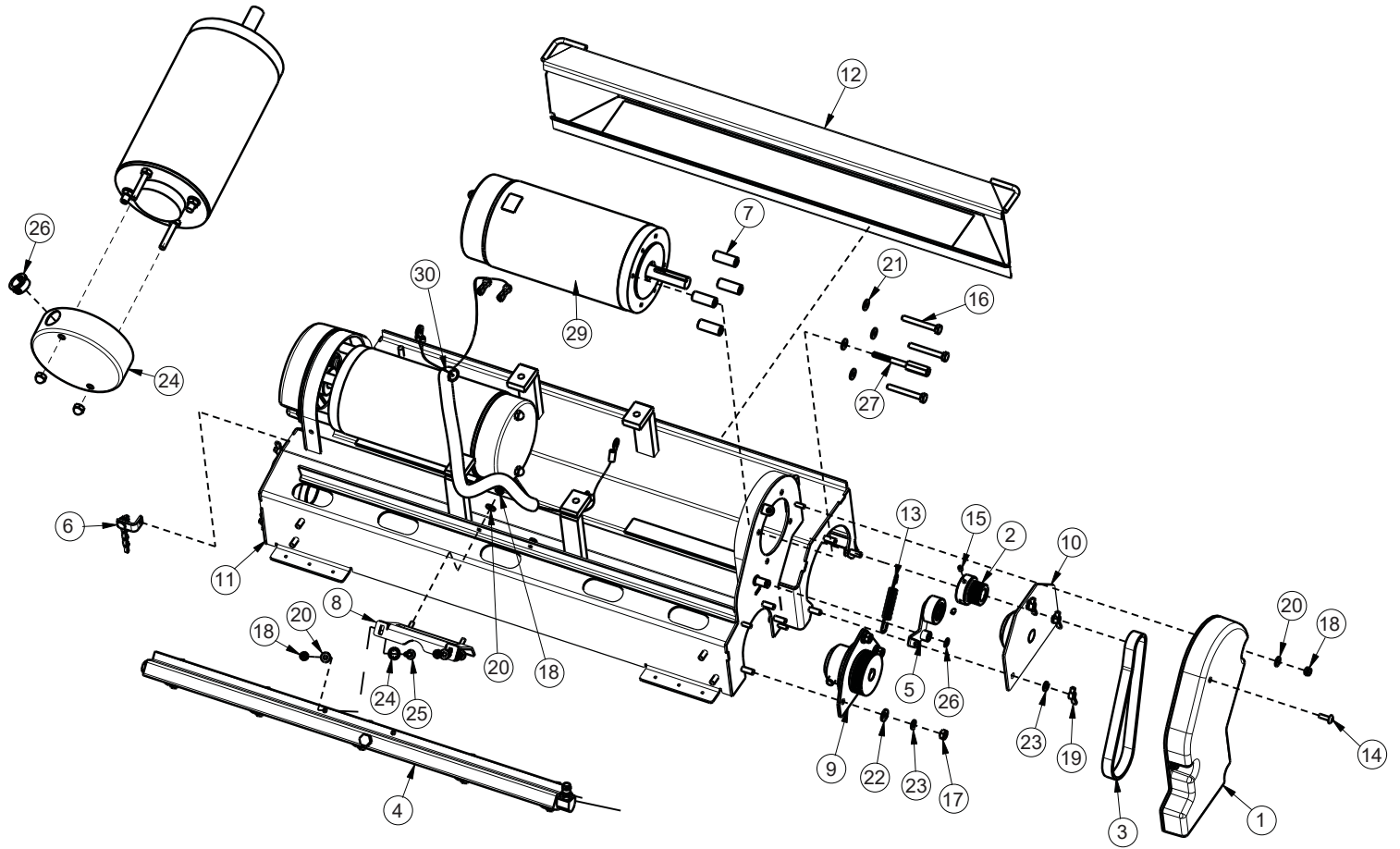
| BILL OF MATERIAL - 281230 | | | |
|---------------------------|------------|-----|--|
| ITEM | PART NO. | QTY | DESCRIPTION |
| 1 | 241283 | 1 | SQUEEGEE MOUNT PLATE - LOWER, SCV 2426 |
| 2 | 241284 | 1 | SQUEEGEE MECH. REAR WELDMENT - SCV 2426 |
| 3 | 241291 | 1 | WD-SQUEEGEE PIVOT ARM - SCV 2426 ZINC |
| 4 | 241294 | 1 | SQUEEGEE MOUNT WELDMENT-UPPER, SCV 2426 |
| 5 | 241757 | 1 | SQUEEGEE WELDMENT - REAR, E RIDE 2832 |
| 6 | 281241 | 2 | LIFT CABLE - REAR SQUEEGEE |
| 7 | 711508 | 2 | WASHER-FLAT 3/8 X 1.00 X .08 ZP |
| 8 | 711727 | 2 | PIN-CLEVIS 7/16 X 2.00 ZINC 1.84" UNDER |
| 9 | 809311 | 4 | PIN-COTTER 7/64 X 1 |
| 10 | 11038247 | 2 | SCR-HH M8-1.25 X 25 ZP CLASS 8.8 |
| 11 | 11038299 | 1 | SCR-HH M8-1.25 X 45 ZP CLASS 8.8 |
| 12 | 11126653 | 2 | SCREW-SOCKET HEAD CAP ISO 4762-M10x110-1 |
| 13 | 11620564 | 2 | BLT-CARM8 X 1.25 X 55 STL ZD 8.8 DIN 603 |
| 14 | 12022059 | 5 | NUT-HEX M8 X 1.25 STL ZD CL8 DIN 934 |
| 15 | 12022067 | 2 | NUT-HEX M10 X 1.5 ZD CLASS 8 |
| 16 | 12022224 | 2 | NUT-HEX METRIC M10 X 1.5 STL ZD |
| 17 | 12040069 | 1 | NUT-NYLOC M10 X 1.5 ZD CLASS 6 |
| 18 | 12310041 | 8 | WASHER-FLAT M8.4 X 16 X 1.6 ZP |
| 19 | 12310066 | 4 | WSR-FLT M13 X 24 X 2.5 STL 140HV ZD DIN |
| 20 | 730609 | 2 | WASHER-FLAT M8 SS |
| 21 | 12520053 | 1 | WASHER - SERRATED, LOCKING, M8, |
| 22 | 16046039 | 2 | BALL JOINT - RH, M10 FEMALE THREADS |
| 23 | 16046088 | 2 | BALL JOINT - LH, M10 FEMALE THREADS |
| 24 | 90414806 | 2 | TURNBUCKLE - M10 THREADS, STEEL HEX BODY |
| 25 | 90443979 | 2 | BUSHING - STEEL, SPRING CAP |
| 26 | 90473158 | 2 | BUSHING |
| 27 | 90537697 | 1 | PIVOT BAR - MACHINED, STEEL |
| 28 | 90538307 | 2 | SPRING - COMPRESSION, 1.22 OD, |
| 29 | 96098330-2 | 2 | T BAR WELDMENT - STEEL, ZINC PL |



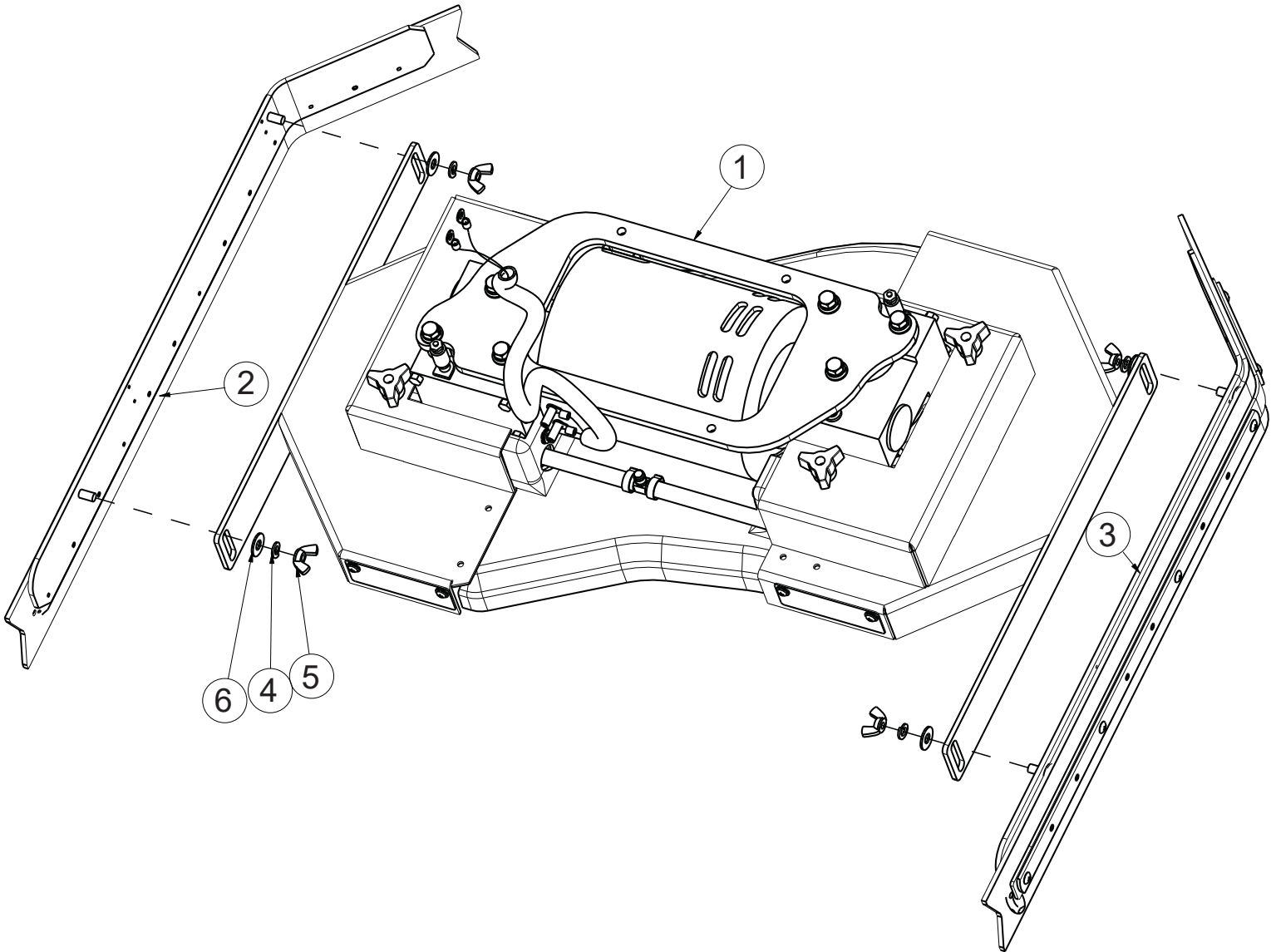
| BILL OF MATERIAL - 281338 | | | |
|---------------------------|----------|-----|--|
| ITEM | PART NO. | QTY | DESCRIPTION |
| 1 | 172429 | 2 | SPRING, COMP .4 ID X .5FL SS |
| 2 | 172448 | 1 | STRAP W/ LATCH, FRONT LEFT, 38" SQG |
| 3 | 172539 | 1 | NLA- SEE NOTES - 38" SQG BASE ASSY, C.S. |
| 4 | 173080 | 6 | WASHER-FLAT .266 X .875 X .07 SS |
| 5 | 281211 | 3 | WSR-SNUBBING |
| 6 | 281242 | 1 | DEFLECTOR BRACKET - REAR SQUEEGEE |
| 7 | 710592 | 1 | SCR-THMS 1/4-20 X 3.00 SS |
| 8 | 711525 | 2 | WASHER-WAVE .65 X .86 X .01 |
| 9 | 712591 | 2 | NUT-ACORN 1/4-20 SS |
| 10 | 712592 | 1 | SCR-BHSCS 1/4-20 X 2.25 SS |
| 11 | 717030 | 2 | SCR-HH M8-1.25 X 20 SS |
| 12 | 730609 | 2 | WASHER-FLAT M8 SS |
| 13 | 12515094 | 2 | WSR-CONICAL SERRATED TOOTH M10.6 X 26 X |
| 14 | 17133026 | 2 | STAR HANDLE, M10, BLACK |
| 15 | 90199019 | 3 | BUSHING, 10 X 16 X 10.8MM ZINC |
| 16 | 90493560 | 1 | SQUEEGEE BLADE, FRONT |
| 17 | 90494139 | 1 | SQUEEGEE BLADE, REAR |
| 18 | 90513094 | 2 | FIXED CASTER |
| 19 | 90531112 | 10 | WASHER-FLAT 8.3 x 22 x 1.00mm STAINLESS |
| 20 | 90548397 | 2 | ROLLER - PLASTIC, 100mm DIA. (4") |
| 21 | 96125828 | 1 | FRONT RIGHT TENSION BAND |
| 22 | 96125851 | 1 | REAR RIGHT TENSION BAND W/ LATCH |



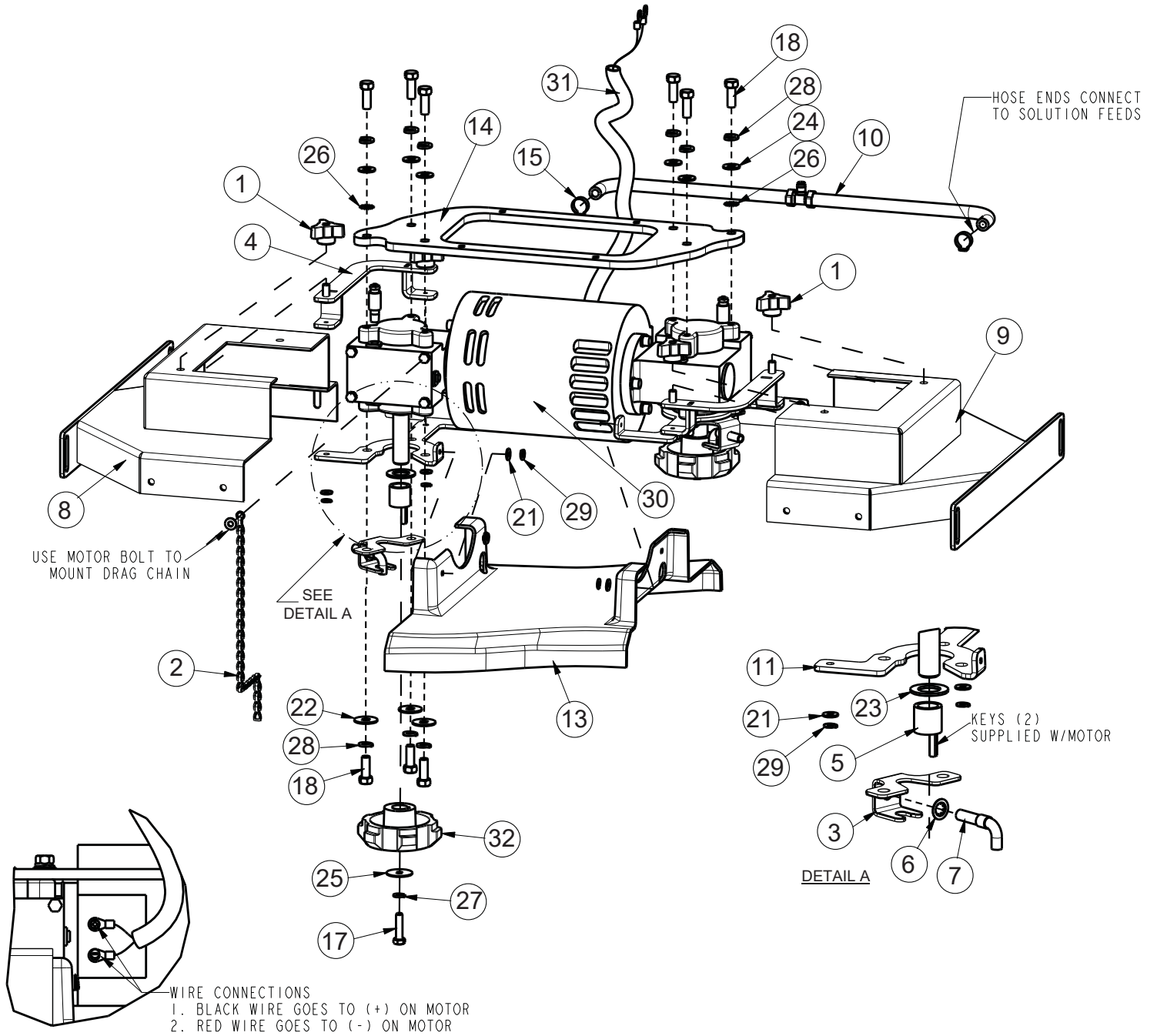
| BILL OF MATERIAL - 281290 (28") or 281291 (32") | | | |
|---|----------|-----|---------------------------------------|
| ITEM | PART NO. | QTY | DESCRIPTION |
| 1 | 210118 | 4 | KNOB-3 SIDED 5/16 NYLOC |
| 2 | 241544 | 1 | HINGE BRK'T WLDMNT RH, SCV 24/26 |
| 3 | 241546 | 1 | HINGE BRK'T WLDMNT LH, SCV 24/26 |
| 4 | 281290-1 | 1 | CYL SCRUBDECK BASIC ASY 28" |
| | 281291-1 | | CYL SCRUBDECK BASIC ASY 32" |
| 5 | 281851 | 1 | SIDE SQUEEGEE WIPE ASSY LH, SCV 28/32 |
| 6 | 281857 | 1 | SIDE SQUEEGEE WIPE ASSY RH, SCV 28/32 |
| 7 | 281866 | 2 | UPPER SQUEE BRK'T WMT, SCV 28/32 |
| 8 | 281868 | 1 | CYL DECK SIDE SQUEE SUPPORT LH |
| 9 | 281869 | 1 | CYL DECK SIDE SQUEE SUPPORT RH |
| 10 | 711119 | 2 | PIN-CLEVIS 7/16 X 2.625 ZP |
| 11 | 711373 | 8 | NUT-NYLOC 1/4-20 ZP |
| 12 | 711504 | 8 | WASHER-FLAT 1/4 SS |
| 13 | 711544 | 4 | WASHER-LOCK 1/4 SPLIT ZP |
| 14 | 711808 | 2 | PIN-HAIRPIN COTTER #13 |
| 15 | 210118Y | 2 | KNOB 5/16" THREAD, YELLOW |



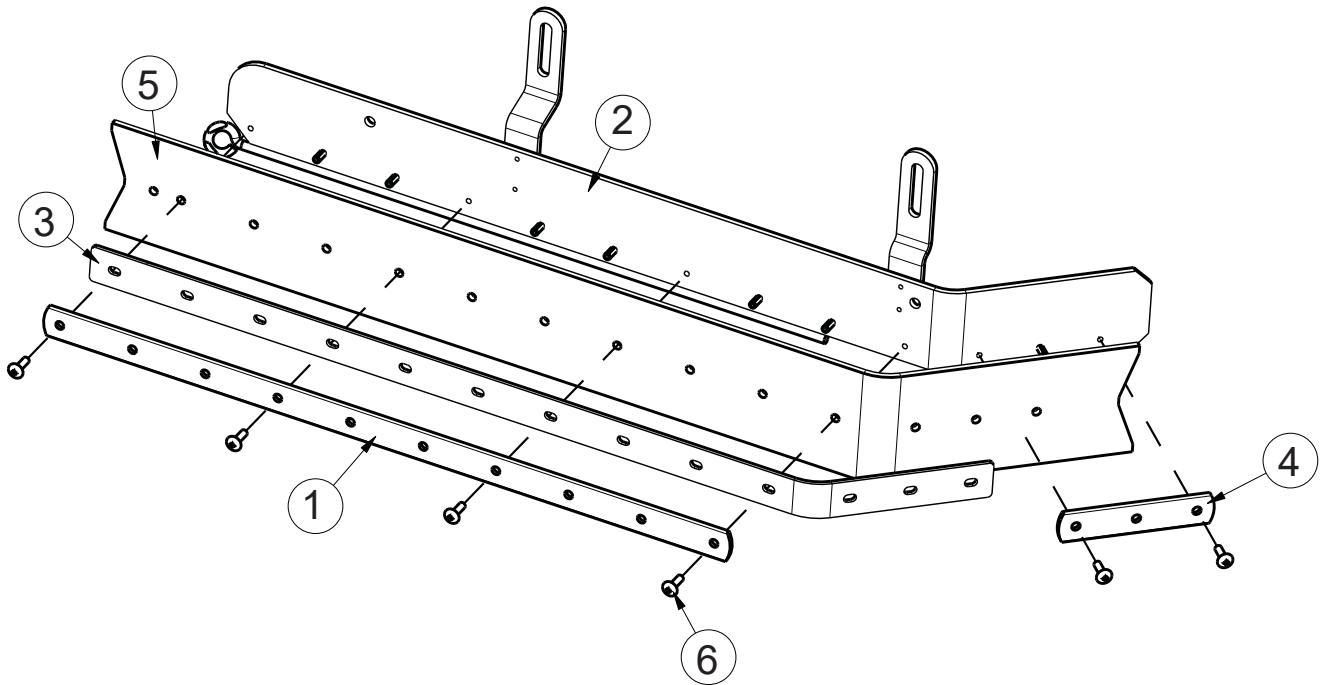
| BILL OF MATERIAL - 281290-1 (28") or 281291-1 (32") | | | |
|---|----------|-------|---------------------------------------|
| ITEM | PART NO. | QTY | DESCRIPTION |
| 1 | 281023 | 2 | BELT COVER CYLINDRICAL SCRUBDECK |
| 2 | 281036 | 2 | OFFSET PULLEY POLY V |
| 3 | 281053 | 2 | J BELT (POLY V) 18IN |
| 4 | 281177 | 1 | SPRAY BAR ASSY. - SCV 2832 |
| 5 | 281543 | 2 | IDLER ASSY |
| 6 | 281559 | 1 | DRAG CHAIN ASSY, CYL. SCRUBDECK |
| 7 | 281598 | 8 | MOTOR STANDOFF - CYL SCRUB DECK |
| 8 | 281606 | 1 | SPRAY HEAD MTG BRKT, CYL SCRUBDECK |
| 9 | 281670 | 2 | DRIVE SIDE HUB ASSY, CYL SCRUBDECK |
| 10 | 281680 | 2 | IDLE SIDE HUB ASSY, CYL SCRUBDECK |
| 11 | 281832 | 1 | 28" CYLINDRICAL SCRUBDECK WELDMENT |
| | 281892 | | 32" CYLINDRICAL SCRUBDECK WELDMENT |
| 12 | 281901 | 1 | DEBRIS BOX WMT, 28" CYL SCRUBDECK |
| | 281906 | | DEBRIS BOX WMT, 32" CYL SCRUBDECK |
| 13 | 430051 | 2 | SPRING-RETURN .313 X .438 X 2.93 SS |
| 14 | 710154 | 2 | SCR-THMS 10-32 X .625 SS |
| 15 | 711003 | 4 | SCR-SET 10-32 X .25 BLK OX CP |
| 16 | 711214 | 6 | SCR-HH 1/4-20 X 2.00 ZP GR 5 |
| 17 | 711316 | 6 | NUT-HEX 1/4-20 ZP |
| 18 | 711350 | 10 | NUT-NYLOC 10-32 ZP |
| 19 | 711389 | 6 | NUT-WING 1/4-20 ZP |
| 20 | 711503 | 10 | WASHER-FLAT #10 X .50 ZP |
| 21 | 711504 | 8 | WASHER-FLAT 1/4 SS |
| 22 | 711505 | 6 | WASHER-FLAT 1/4 ZP |
| 23 | 711544 | 12 | WASHER-LOCK 1/4 SPLIT ZP |
| 24 | 711558 | 2 | WASHER-INT LOCK 5/16 |
| 25 | 711606 | 2 | BLT-CARR 10-32 X .625 SS |
| 26 | 711724 | 2 | RET RING-EXT 3/8 |
| 27 | 712346 | 2 | MCHD STANDOFF-THREADED 1/4-20 ZINC PL |
| 28 | 742759 | 0.001 | TAPE-ELECTRICAL BLUE |
| 29 | 748048 | 2 | MOTOR OUTLINE 1HP |
| 30 | 748122 | 2 | BUSHING-SNAP .625 id |
| 31 | 748409 | 1 | WIRE ASY, CYLINDRICAL DECK ER2832 |



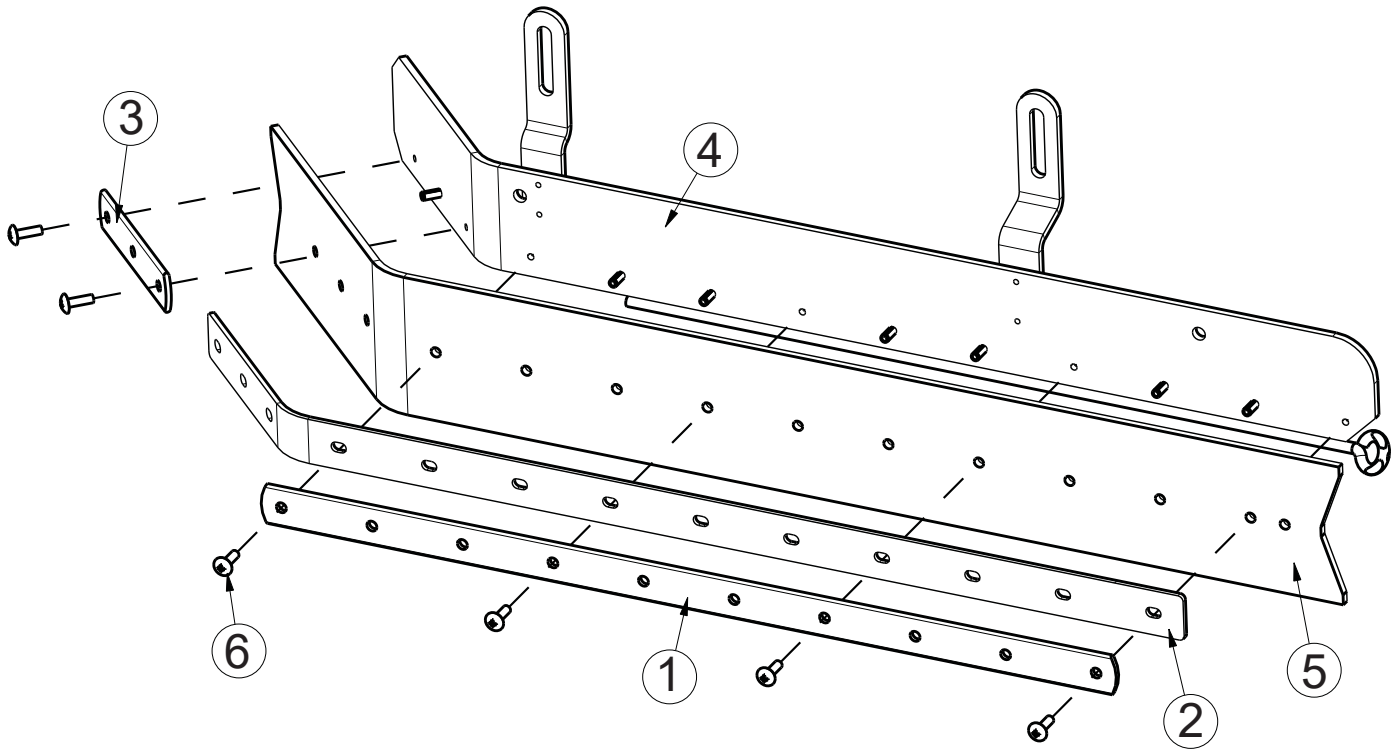
| BILL OF MATERIAL - 281292 (28") OR 281293 (32") | | | |
|---|----------|-----|-------------------------------------|
| ITEM | PART NO. | QTY | DESCRIPTION |
| 1 | 281292-2 | 1 | ASSY, DISC SCRUBDECK 28" |
| | 281293-2 | | ASSY, DISC SCRUBDECK 32" |
| 2 | 281875 | 1 | SIDE SQUEEGEE WIPE ASSY RH, SCV2832 |
| 3 | 281878 | 1 | SIDE SQUEEGEE WIPE ASSY LH, SCV2832 |
| 4 | 712140 | 4 | WASHER-LOCK 5/16 SPLIT SS |
| 5 | 712157 | 4 | NUT-WING 5/16-18 SS |
| 6 | 712301 | 4 | WASHER-FLAT 3/8 X .87 X .06 ZP |



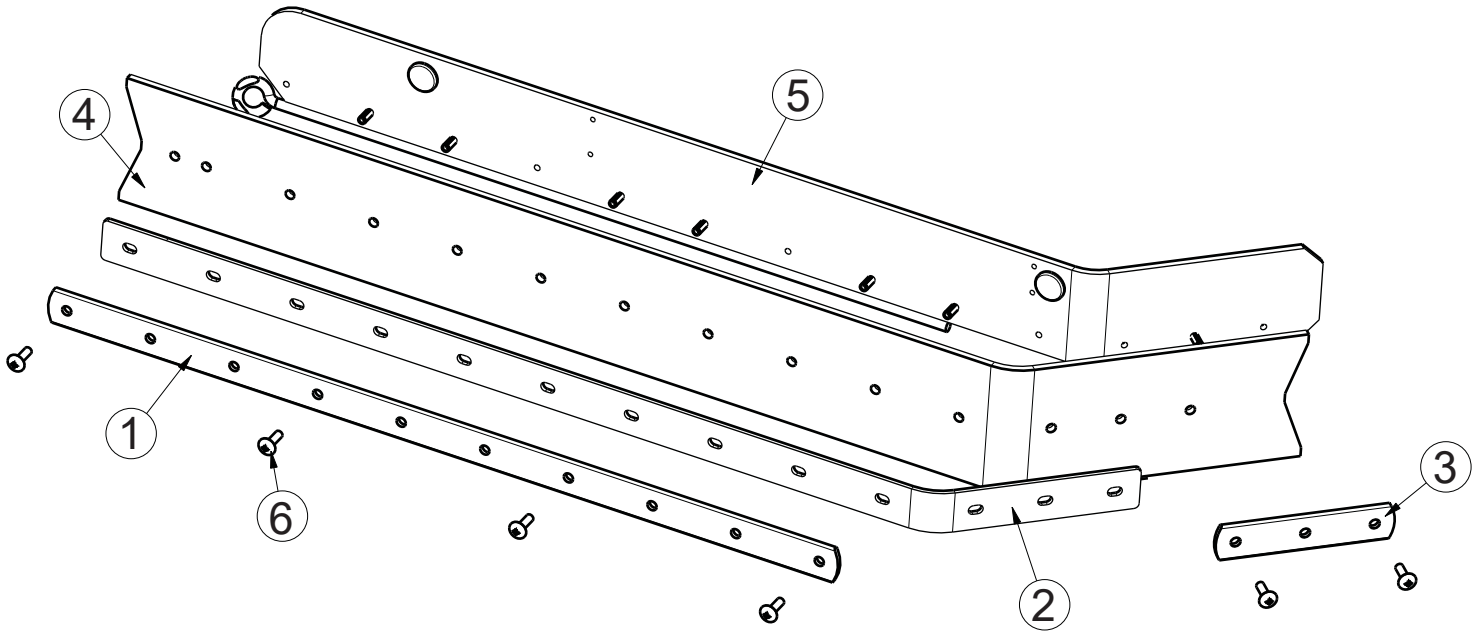
| BILL OF MATERIAL - 281292-2 (28") or 281293-2 (32") | | | |
|---|----------|-----|--|
| ITEM | PART NO. | QTY | DESCRIPTION |
| 1 | 210118 | 4 | KNOB-3 SIDED 5/16 NYLOC |
| 2 | 241628 | 1 | DRAG CHAIN ASSY DISK SCRUBDECK SCV 24/26 |
| 3 | 241653 | 2 | BRACKET-WATER FEED, DISC, SCV 24/26 |
| 4 | 241662 | 2 | BRACKET ASSY-COVER MOUNTING SCV 24/26 |
| 5 | 281611 | 2 | HUB - SCRUB SPACER TUBE |
| 6 | 281633 | 2 | NUT-PUSH RETAINER 3/8 |
| 7 | 281634 | 2 | DISK SOLUTION FEED ASSY |
| 8 | 281871-1 | 1 | COVER, DISC DECK WELD, LH-28" SKIRT |
| | 281885-1 | | COVER, DISC DECK WELD, LH-32" SKIRT |
| 9 | 281874-1 | 1 | COVER, DISC DECK WELD, RH-28" SKIRT |
| | 281887-1 | | COVER, DISC DECK WELD, RH-32" SKIRT |
| 10 | 281881 | 1 | SOL. FEED HOSE SUB-ASSY, DISK |
| 11 | 281883 | 2 | MOUNTING BRACKET, MOTOR COVER |
| 12 | 282339 | 2 | PLATE, BLANK COVER, SKIRT MTG SLOTS |
| 13 | 320928 | 1 | DECK MOTOR COVER, 28" DISK |
| | 320857 | | DECK MOTOR COVER, 32" DISK |
| 14 | 320929 | 1 | DISK SCRUBDECK MOUNTING PLATE, 28" |
| | 320859 | | DISK SCRUBDECK MOUNTING PLATE, 32" |
| 15 | 450076 | 2 | CLAMP-HOSE 5/8 (.590-.791) SS |
| 16 | 710355 | 4 | SCR-RHMS 10-32 X .50 ZP |
| 17 | 711231 | 2 | SCR-HH 5/16-18 X 1.25 ZP GR 5 FULL THREA |
| 18 | 711242 | 12 | SCR-HH 3/8-16 X 1.00 ZP TAP |
| 19 | 711427 | 4 | NUT-FLANGED WIZZ 10-32 ZP |
| 20 | 711503 | 4 | WASHER-FLAT #10 X .50 ZP |
| 21 | 711504 | 9 | WASHER-FLAT 1/4 SS |
| 22 | 711507 | 6 | WASHER-FLAT 3/8 X 1.12 X .06 |
| 23 | 711512 | 2 | WASHER-FLAT 3/4 X 1.37 X .08 ZP |
| 24 | 711515 | 6 | WASHER-FLAT 3/8 X .812 X .0625 ZP |
| 25 | 711516 | 2 | WASHER-FLAT 5/16 X 1.25 X .05 ZP |
| 26 | 711539 | 2 | WASHER-EXT LOCK 3/8 ZP |
| 27 | 711545 | 2 | WASHER-LOCK 5/16 SPLIT ZP |
| 28 | 711546 | 12 | WASHER-LOCK 3/8 SPLIT ZP |
| 29 | 712758 | 8 | WASHER-LOCK 1/4 SPLIT SS |
| 30 | 748003 | 1 | MOTOR-28" DUAL RIGHT ANGLE SCV |
| 31 | 748410 | 1 | WIRE ASY, DISK DECK ER2832 |
| 32 | 3312402 | 2 | HUB-SCRUB BRUSH DRIVE |



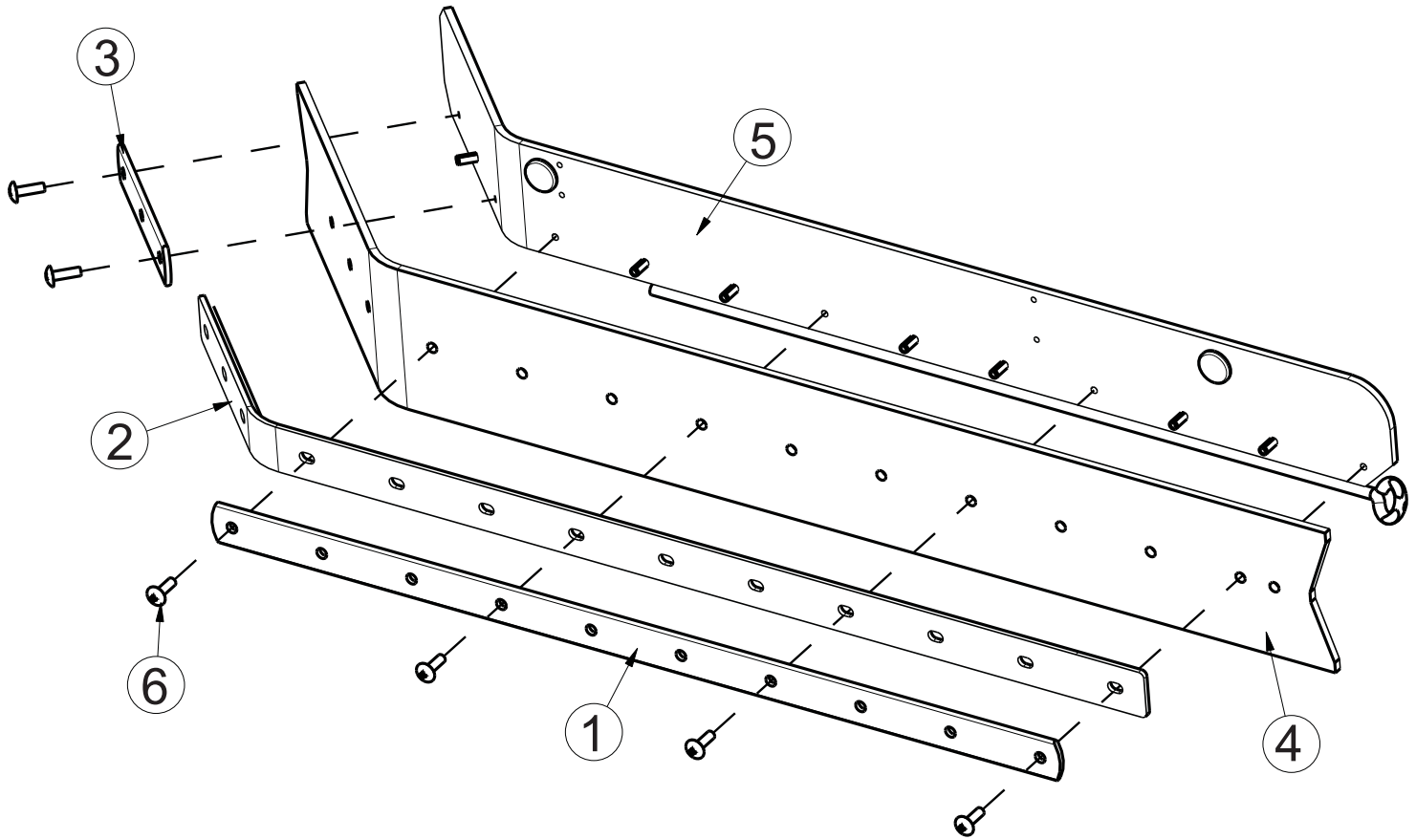
| BILL OF MATERIAL - 281851 | | | |
|---------------------------|----------|-----|--------------------------------------|
| ITEM | PART NO. | QTY | DESCRIPTION |
| 1 | 241679 | 1 | RETAINER-LONG SIDE SQ SCV 24/26 |
| 2 | 281853 | 1 | DISK SQUEEGEE SUB ASSY LH, SCV 28/32 |
| 3 | 281855 | 1 | BACKER BLADE, LONG SCV 2832 |
| 4 | 281856 | 1 | SHORT RETAINER, SIDE SQ SCV 24/26 |
| 5 | 281859 | 1 | SQUEEGEE- SIDE BLADE LINATEX SCV2832 |
| 6 | 710154 | 6 | SCR-THMS 10-32 X .625 SS |



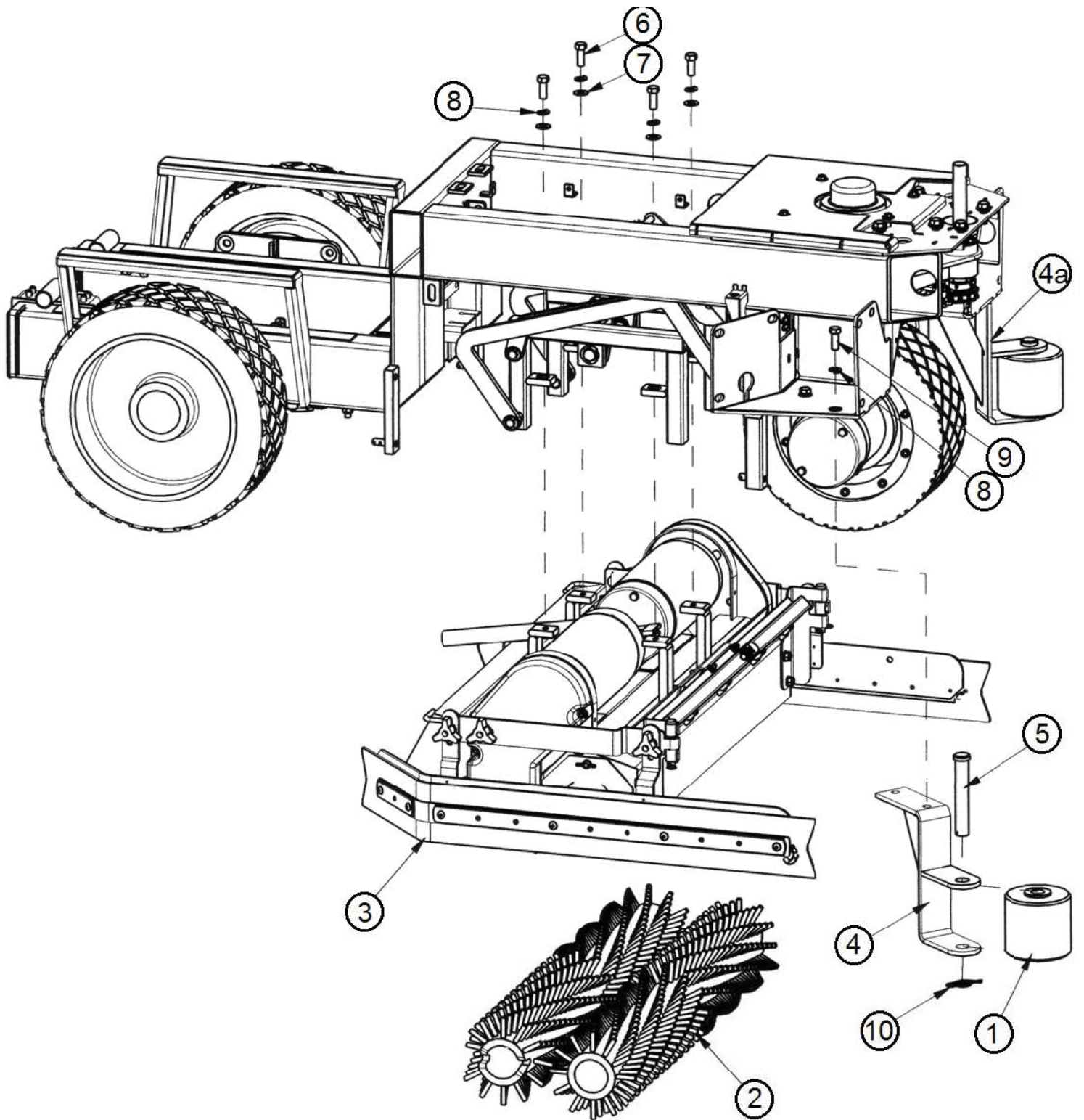
| BILL OF MATERIAL - 281857 | | | |
|---------------------------|----------|-----|--------------------------------------|
| ITEM | PART NO. | QTY | DESCRIPTION |
| 1 | 241679 | 1 | RETAINER-LONG SIDE SQ SCV 24/26 |
| 2 | 281855 | 1 | BACKER BLADE, LONG SCV 2832 |
| 3 | 281856 | 1 | SHORT RETAINER, SIDE SQ SCV 24/26 |
| 4 | 281858 | 1 | DISK SQUEEGEE SUB ASSY RH, SCV 28/32 |
| 5 | 281859 | 1 | SQUEEGEE- SIDE BLADE LINATEX SCV2832 |
| 6 | 710154 | 6 | SCR-THMS 10-32 X .625 SS |



| BILL OF MATERIAL - 281878 | | | |
|---------------------------|----------|-----|--------------------------------------|
| ITEM | PART NO. | QTY | DESCRIPTION |
| 1 | 241679 | 1 | RETAINER-LONG SIDE SQ SCV 24/26 |
| 2 | 281855 | 1 | BACKER BLADE, LONG SCV 2832 |
| 3 | 281856 | 1 | SHORT RETAINER, SIDE SQ SCV 24/26 |
| 4 | 281859 | 1 | SQUEEGEE- SIDE BLADE LINATEX SCV2832 |
| 5 | 281879 | 1 | DISK SQUEEGEE SUB-ASSY LH, SCV 24/26 |
| 6 | 710154 | 6 | SCR-THMS 10-32 X .625 SS |

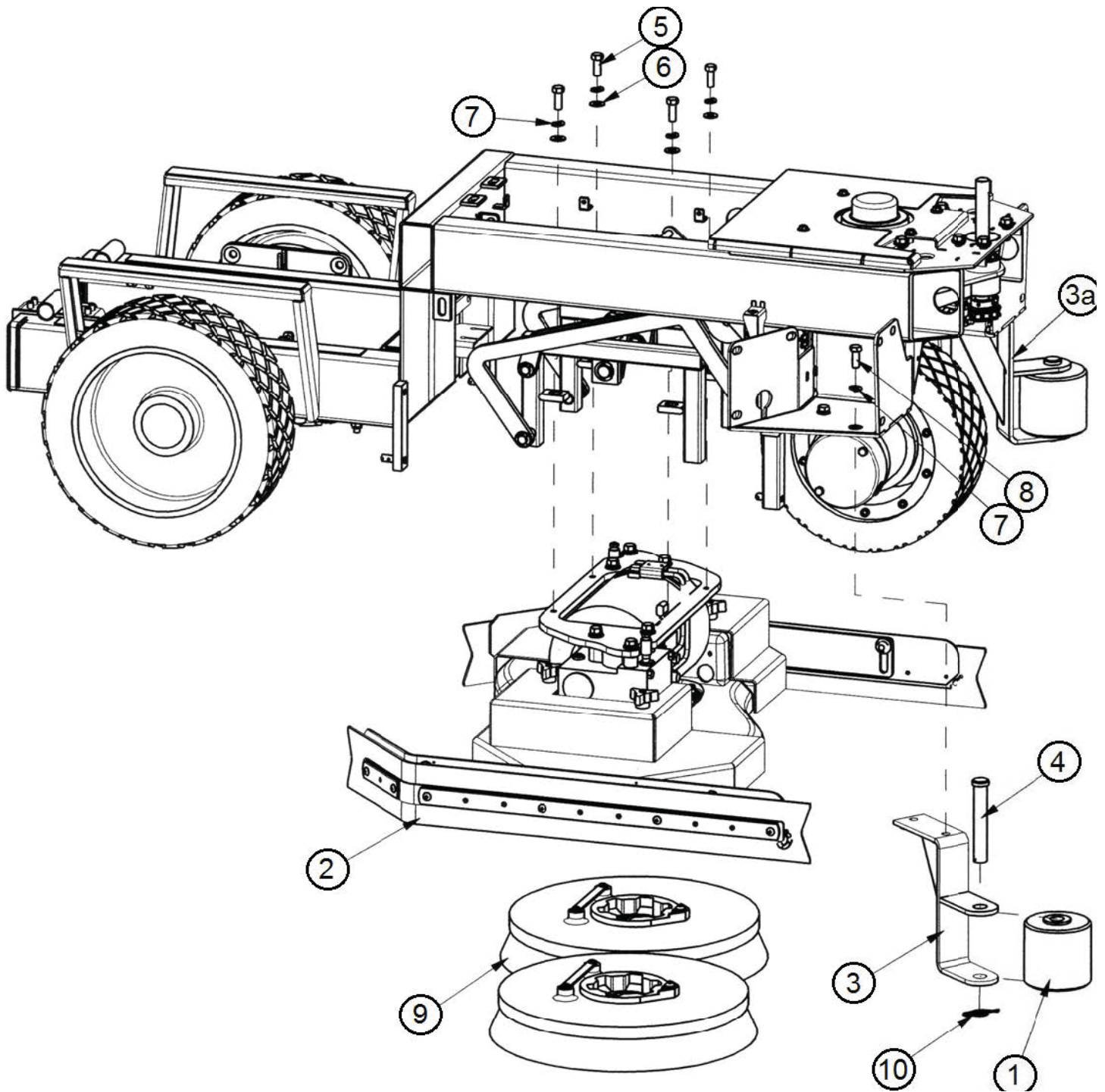


| BILL OF MATERIAL - 281875 | | | |
|---------------------------|----------|-----|--------------------------------------|
| ITEM | PART NO. | QTY | DESCRIPTION |
| 1 | 241679 | 1 | RETAINER-LONG SIDE SQ SCV 24/26 |
| 2 | 281855 | 1 | BACKER BLADE, LONG SCV 2832 |
| 3 | 281856 | 1 | SHORT RETAINER, SIDE SQ SCV 24/26 |
| 4 | 281859 | 1 | SQUEEGEE- SIDE BLADE LINATEX SCV2832 |
| 5 | 281876 | 1 | DISK SQUEEGEE SUB ASSY RH, SCV 24/26 |
| 6 | 710154 | 6 | SCR-THMS 10-32 X .625 SS |



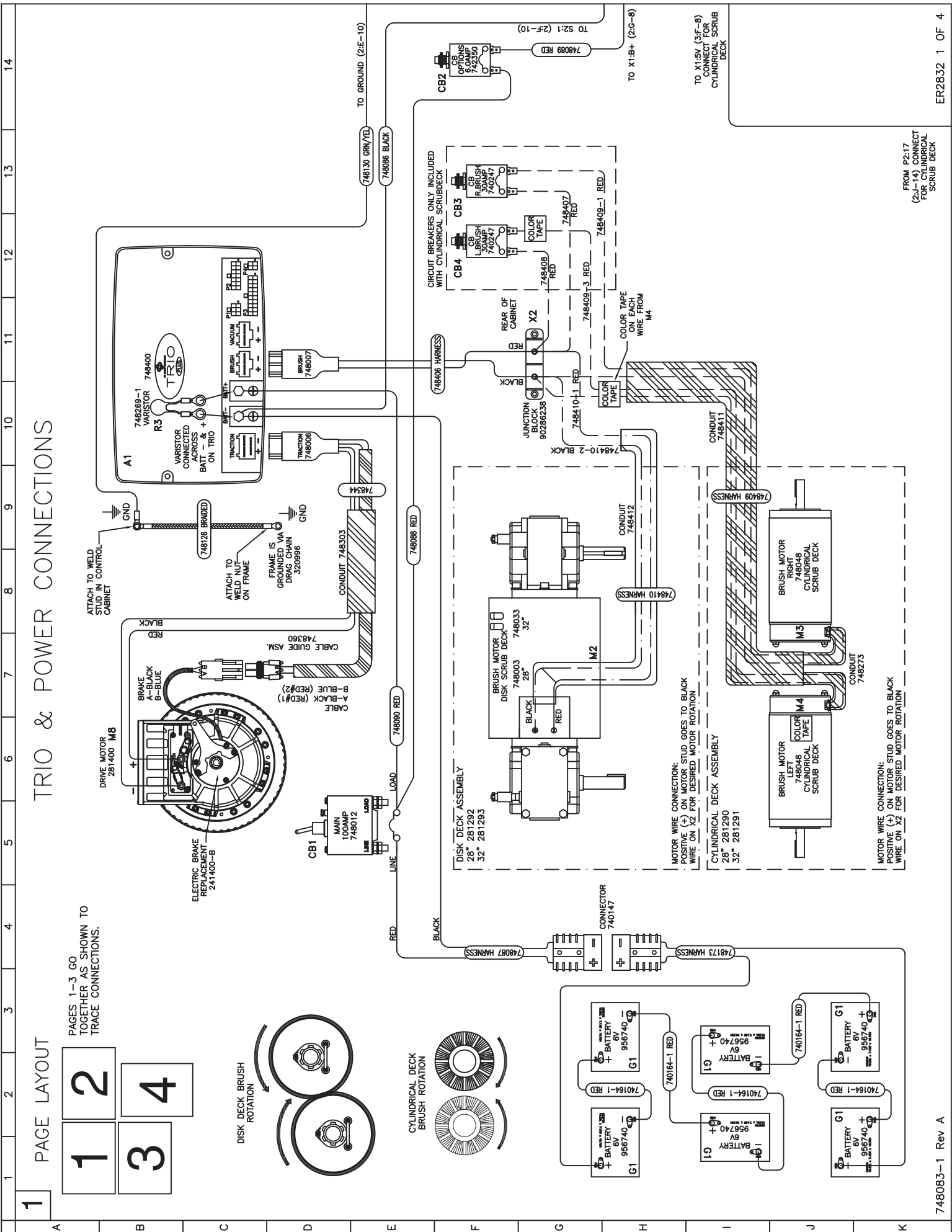
| BILL OF MATERIAL - 28" CYLINDRICAL | | | |
|------------------------------------|----------|-----|---|
| ITEM | PART NO. | QTY | DESCRIPTION |
| 1 | 66-436-A | 2 | ROLLER |
| 2 | 281525 | 2 | BRUSH-CYL 28" SCRUBGRIT II 120GR BROWN (COMES STANDARD) |
| 2A | 281522 | 2 | BRUSH-CYL 28" .026 PP BLACK |
| 2B | 281520 | 2 | BRUSH-CYL 28" .022 NYL WHITE |
| 2C | 281526 | 2 | BRUSH-CYL 28" NYLO GRIT 80GR GREEN |
| 3 | 281290 | 1 | CYL SCRUBDECK ASY, 28" ER2832-NO BRUSHES |
| 4 | 281955 | 2 | FRONT ROLLER MOUNT BRKT WMT |
| 5 | 360017 | 2 | PIN-CLEVIS 3/4 X 4.5 ZINC |
| 6 | 711242 | 10 | SCR-HH 3/8-16 X 1.00 ZP TAP |
| 7 | 711515 | 13 | WASHER-FLAT 3/8 X .812 X .0625 ZP |
| 8 | 711546 | 14 | WASHER-LOCK 3/8 SPLIT ZP |
| 9 | 713042 | 4 | SCR-HH 3/8-16 X 1.00 ZP GR 5 |
| 10 | 3400661 | 2 | PIN-COTTER 3/4 RUE-RING |

| BILL OF MATERIAL - 32" CYLINDRICAL | | | |
|------------------------------------|----------|-----|---|
| ITEM | PART NO. | QTY | DESCRIPTION |
| 1 | 66-436-A | 2 | ROLLER |
| 2 | 281535 | 2 | BRUSH-CYL 32" SCRUBGRIT II 120GR BROWN (COMES STANDARD) |
| 2A | 281530 | 2 | BRUSH-CYL 32" .022 NYL WHITE |
| 2B | 281532 | 2 | BRUSH-CYL 32" .026 PP BLACK |
| 2C | 281536 | 2 | BRUSH-CYL 32" NYLO GRIT 80GR GREEN |
| 3 | 281291 | 1 | CYL SCRUBDECK ASY, 32" ER2832-NO BRUSHES |
| 4 | 281976 | 1 | FRONT ROLLER MNT BRKT WMT, RH 32" |
| 4A | 281971 | 1 | FRONT ROLLER MNT BRKT WMT, LH 32" |
| 5 | 360017 | 2 | PIN-CLEVIS 3/4 X 4.5 ZINC |
| 6 | 711242 | 10 | SCR-HH 3/8-16 X 1.00 ZP TAP |
| 7 | 711515 | 13 | WASHER-FLAT 3/8 X .812 X .0625 ZP |
| 8 | 711546 | 14 | WASHER-LOCK 3/8 SPLIT ZP |
| 9 | 713042 | 4 | SCR-HH 3/8-16 X 1.00 ZP GR 5 |
| 10 | 3400661 | 2 | PIN-COTTER 3/4 RUE-RING |



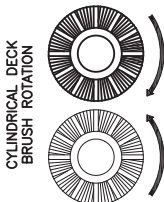
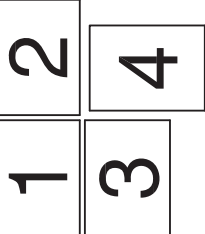
| BILL OF MATERIAL - 28" DISC | | | |
|-----------------------------|----------|-----|--|
| ITEM | PART NO. | QTY | DESCRIPTION |
| 1 | 66-436-A | 2 | ROLLER |
| 2 | 281292 | 1 | DISK SCRUBDECK ASY 28" ER2832-NO BRUSH-ES |
| 3 | 281955 | 1 | FRONT ROLLER MOUNT BRKT WMT |
| 4 | 360017 | 2 | PIN-CLEVIS 3/4 X 4.5 ZINC |
| 5 | 711242 | 10 | SCR-HH 3/8-16 X 1.00 ZP TAP |
| 6 | 711515 | 13 | WASHER-FLAT 3/8 X .812 X .0625 ZP |
| 7 | 711546 | 14 | WASHER-LOCK 3/8 SPLIT ZP |
| 8 | 713042 | 4 | SCR-HH 3/8-16 X 1.00 ZP GR 5 |
| 9 | 3332544 | 2 | BRUSH-14" MID GRIT LIGHT GRAY (COMES STANDARD) |
| 9A | 3313135 | 2 | BRUSH-SCRUB 14" PLASTIC NYLON BLACK |
| 9B | 3313125 | 2 | POWER DRIVE-14"POWERGRIT 80S/S BLACK |
| 9C | 3313127 | 2 | POWER DRVE-14" POWERGRIT 46 HDS DK BLUE |
| 9D | 3315494 | 2 | BRUSH-14" PWR DRIVE W/PAD HLDR |
| 9E | 3315386 | 2 | POWER DRIVE-14"POWERGRIT120AGS BROWN |
| 10 | 3400661 | 2 | PIN-COTTER 3/4 RUE-RING |

| BILL OF MATERIAL - 32" DISC | | | |
|-----------------------------|----------|-----|---|
| ITEM | PART NO. | QTY | DESCRIPTION |
| 1 | 66-436-A | 2 | ROLLER |
| 2 | 281293 | 1 | DISK SCRUBDECK ASY 32" ER2832-NO BRUSH-ES |
| 3 | 281976 | 1 | FRONT ROLLER MNT BRKT WMT, RH 32" |
| 3A | 281971 | 1 | FRONT ROLLER MNT BRKT WMT, LH 32" |
| 4 | 360017 | 2 | PIN-CLEVIS 3/4 X 4.5 ZINC |
| 5 | 711242 | 10 | SCR-HH 3/8-16 X 1.00 ZP TAP |
| 6 | 711515 | 13 | WASHER-FLAT 3/8 X .812 X .0625 ZP |
| 7 | 711546 | 14 | WASHER-LOCK 3/8 SPLIT ZP |
| 8 | 713042 | 4 | SCR-HH 3/8-16 X 1.00 ZP GR 5 |
| 9 | 3332545 | 2 | BRUSH-16" MID GRIT LIGHT GRAY |
| 9A | 3313136 | 2 | BRUSH-SCRUB 16" PLASTIC NYLON BLACK |
| 9B | 3313126 | 2 | POWER DRIVE-16"POWERGRIT 80S/S GREEN |
| 9C | 3313128 | 2 | 16" POWERGRIT 46H DARK BLUE |
| 9D | 3313134 | 2 | BRUSH-SCRUB 16" PLAS BUTCHWIRE |
| 9E | 3315385 | 2 | POWER DRIVE-16"POWERGRIT120AGS BROWN |
| 10 | 3400661 | 2 | PIN-COTTER 3/4 RUE-RING |



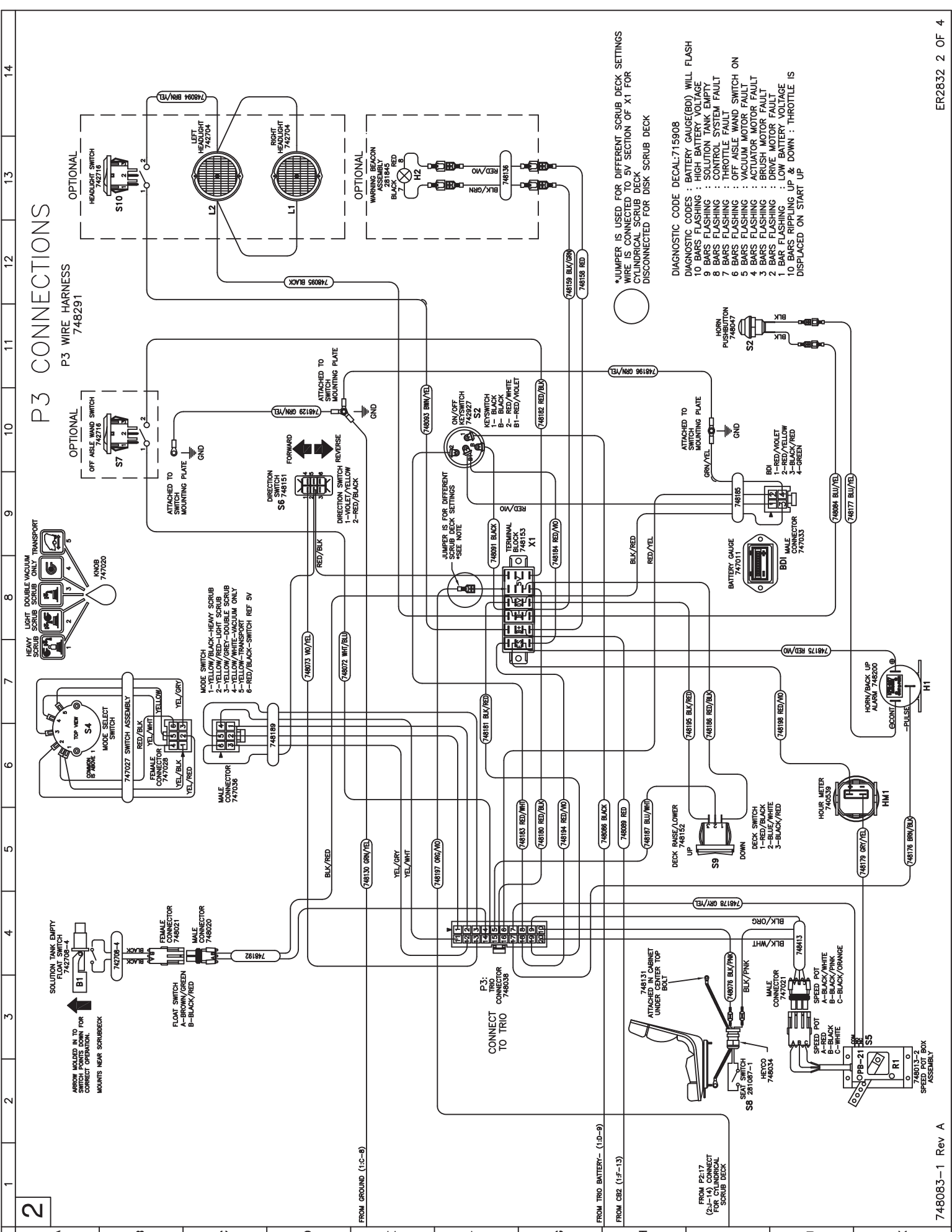
TRIO & POWER CONNECTIONS

PAGES 1-3 GO TOGETHER AS SHOWN TO TRACE CONNECTIONS.



MOTOR WIRE CONNECTION:
 POSITIVE (+) ON MOTOR STUD GOES TO BLACK WIRE ON X2 FOR DESIRED MOTOR ROTATION

MOTOR WIRE CONNECTION:
 POSITIVE (+) ON MOTOR STUD GOES TO BLACK WIRE ON X2 FOR DESIRED MOTOR ROTATION

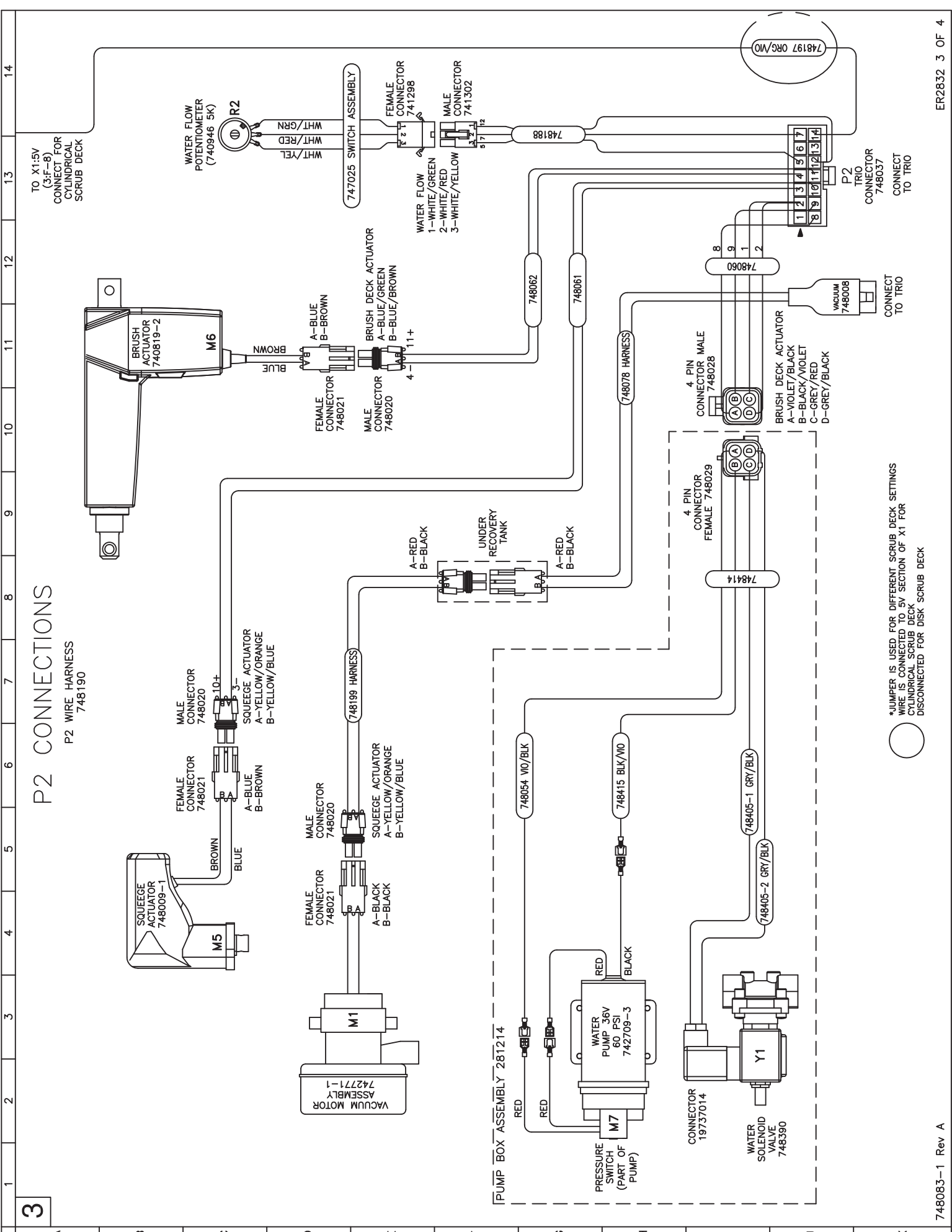


P3 CONNECTIONS

P3 WIRE HARNESS 748291

*JUMPER IS USED FOR DIFFERENT SCRUB DECK SETTINGS
WIRE IS CONNECTED TO 5V SECTION OF X1 FOR
CYLINDRICAL SCRUB DECK
DISCONNECTED FOR DISK SCRUB DECK

- DIAGNOSTIC CODE DECAL: 715908
- DIAGNOSTIC CODES : BATTERY GAUGE(BDI) WILL FLASH
 - 10 BARS FLASHING : HIGH BATTERY VOLTAGE
 - 9 BARS FLASHING : SOLUTION TANK EMPTY
 - 8 BARS FLASHING : CONTROL SYSTEM FAULT
 - 7 BARS FLASHING : THROTTLE FAULT
 - 6 BARS FLASHING : OFF ASLE WARD FAULT
 - 5 BARS FLASHING : ACTUATOR MOTOR FAULT
 - 4 BARS FLASHING : BRUSH MOTOR FAULT
 - 3 BARS FLASHING : DRIVE MOTOR FAULT
 - 2 BARS FLASHING : LOW BATTERY VOLTAGE
 - 1 BAR FLASHING : UP & DOWN : THROTTLE IS
DISPLACED ON START UP



P2 CONNECTIONS

P2 WIRE HARNESS
748190

TO X1:5V
(3:F-8)
CONNECT FOR
CYLINDRICAL
SCRUB DECK

*JUMPER IS USED FOR DIFFERENT SCRUB DECK SETTINGS
WIRE IS CONNECTED TO 5V SECTION OF X1 FOR
CYLINDRICAL SCRUB DECK
DISCONNECTED FOR DISK SCRUB DECK

CONNECT
TO TRIO

CONNECT
TO TRIO

CONNECT
TO TRIO

CONNECT
TO TRIO

WIRE COLORS & FUNCTIONS

P2: TRIO CONNECTOR

| PIN # | COLOR | FUNCTION |
|-------|---------------|----------------------------------|
| 1 | GREY/RED | WATER SOLENOID VALVE |
| 2 | GREY/BLACK | WATER SOLENOID VALVE |
| 3 | YELLOW/ORANGE | SQUEEGE ACTUATOR |
| 4 | BLUE/GREEN | BRUSH ACTUATOR |
| 5 | WHITE/YELLOW | WATER FLOW POTENTIOMETER (SLOW) |
| 6 | - | - |
| 7 | WHITE/RED | WATER FLOW POTENTIOMETER (WIPER) |
| 8 | VIOLET/BLACK | WATER PUMP |
| 9 | BLACK/VIOLET | WATER PUMP |
| 10 | YELLOW/BLUE | SQUEEGE ACTUATOR |
| 11 | BLUE/ORANGE | BRUSH ACTUATOR |
| 12 | WHITE/GREEN | WATER FLOW POTENTIOMETER (FAST) |
| 13 | - | - |
| 14 | ORANGE/VIOLET | BRUSH DECK PRESSURE SETTING |

P3: TRIO CONNECTOR

| PIN # | COLOR | FUNCTION |
|-------|---------------|-----------------------------------|
| 1 | YELLOW/RED | MODE SWITCH: LIGHT SCRUB |
| 2 | YELLOW/BLACK | MODE SWITCH: HEAVY SCRUB |
| 3 | YELLOW | MODE SWITCH: TRANSPORT |
| 4 | - | - |
| 5 | BLUE/WHITE | DECK RAISE/LOWER SWITCH |
| 6 | RED/YELLOW | BATTERY GAUGE SIGNAL |
| 7 | GREY/YELLOW | HOURLY METER |
| 8 | RED/WHITE | ON/OFF RED (B+): TERMINAL BLOCK |
| 9 | BLACK/ORANGE | SPEED POTENTIOMETER (SLOW) |
| 10 | BLACK/PINK | SPEED POT/SEAT SAFETY SWITCH |
| 11 | YELLOW/WHITE | MODE SWITCH: VACUUM ONLY |
| 12 | YELLOW/GREY | MODE SWITCH: DOUBLE SCRUB |
| 13 | VIOLET/YELLOW | REVERSE SWITCH |
| 14 | BROWN/GREEN | FLOAT SWITCH: SOLUTION TANK EMPTY |
| 15 | WHITE/BLUE | OFF AISLE WAND |
| 16 | RED/BLACK | HIGH SWITCH REF: 5VDC |
| 17 | BROWN/BLACK | BACK UP ALARM |
| 18 | RED/VIOLET | ON/OFF INPUT: KEY SWITCH-KSI |
| 19 | BLACK/RED | LOW SWITCH REF: 0VDC |
| 20 | BLACK/WHITE | SPEED POTENTIOMETER (FAST) |

MISCELLANEOUS

| COLOR | FUNCTION |
|---------------|--|
| RED | BATTERY 36VDC |
| BLACK | BATTERY 0VDC |
| RED/BLACK | HIGH SWITCH REF: 5VDC |
| BLACK/RED | LOW SWITCH REF: 0VDC |
| RED/VIOLET | KEY SWITCH INPUT- KSI |
| BLUE/YELLOW | HORN: 0VDC |
| ORANGE/VIOLET | DECK TYPE SELECT:CONNECT FOR CYLINDRICAL |

KEY SWITCH: S2

| PIN # | HARNESS COLOR | FUNCTION |
|-------|---------------|-------------------------------|
| 1 | BLACK | BATTERY OV: TRIO |
| B | BLACK | TERMINAL BLOCK FEED: OV |
| 2 | RED/WHITE | P3:8 +V FROM TRIO |
| B1 | RED/VIOLET | TERMINAL BLOCK FEED P3:18 KSI |

BATTERY GAUGE: BDI

| PIN # | COLOR | FUNCTION |
|-------|--------------|------------------------------|
| 1 | RED/VIOLET | P3:18 SWITCHED 36VDC |
| 2 | RED/YELLOW | P3:6 SIGNAL |
| 3 | BLACK/RED | TERMINAL BLOCK SIGNAL REF OV |
| 4 | GREEN/YELLOW | ESD DISCHARGE |

MODE SELECT SWITCH: S4

| SWT # | PIN # | COLOR | FUNCTION |
|-------|-------|--------------|-----------------------------|
| 1 | 1 | YELLOW/BLACK | P3:2 HEAVY SCRUB |
| 2 | 2 | YELLOW/RED | P3:1 LIGHT SCRUB |
| 3 | 3 | YELLOW/GREY | P3:12 DOUBLE SCRUB |
| 4 | 4 | YELLOW/WHITE | P3:11 VACUUM ONLY |
| 5 | 5 | YELLOW | P3:3 TRANSPORT |
| C | 6 | RED/BLACK | TERMINAL BLOCK: HIGH REF 5V |

DIRECTION SWITCH: S6

| PIN # | COLOR | FUNCTION |
|-------|---------------|-------------------------------|
| 1 | VIOLET/YELLOW | P3:13 REVERSE |
| 2 | RED/BLACK | TERMINAL BLOCK: HIGH REF 5VDC |
| 3 | EMPTY | - |
| 4 | EMPTY | - |
| 5 | EMPTY | - |
| 6 | EMPTY | - |

DECK RAISE/LOWER SWITCH: S9

| PIN # | COLOR | FUNCTION |
|-------|------------|-------------------------------|
| 1 | RED/BLACK | TERMINAL BLOCK: HIGH REF 5VDC |
| 2 | BLUE/WHITE | P3:5 DECK RAISE/LOWER INPUT |
| 3 | BLACK/RED | TERMINAL BLOCK: LOW REF 0VDC |
| 4 | EMPTY | - |
| 5 | EMPTY | - |
| 6 | EMPTY | - |

OFF AISLE WAND SWITCH: S7- OPTIONAL

| PIN # | COLOR | FUNCTION |
|-------|------------|-------------------------------|
| 1 | WHITE/BLUE | P3:15 OFF AISLE WAND |
| 2 | RED/BLACK | TERMINAL BLOCK: HIGH REF 5VDC |

HEAD LIGHT SWITCH: S10- OPTIONAL

| PIN # | COLOR | FUNCTION |
|-------|--------------|-----------------------|
| 1 | BROWN/YELLOW | TERMINAL BLOCK: 36VDC |
| 2 | BROWN/YELLOW | HEAD LIGHT: L2 |



Minuteman International Made Simple Commercial Limited Warranty

REVISION O EFFECTIVE 4/1/2016

Minuteman International, Inc. warrants to the original purchaser/user that the product is free from defects in workmanship and materials under normal use. Minuteman will, at its option, repair or replace without charge, parts that fail under normal use and service when operated and maintained in accordance with the applicable operation and instruction manuals. All warranty claims must be submitted through and approved by factory authorized repair stations.

This warranty does not apply to normal wear, or to items whose life is dependent on their use and care, such as belts, cords, switches, hoses, rubber parts, electrical motor components or adjustments. Parts manufactured by Minuteman are covered by and subject to the warranties and/or guarantees of their manufacturers. Please contact Minuteman for procedures in warranty claims against these manufacturers.

Special warning to purchaser -- Use of replacement filters and/or pre-filters not manufactured by Minuteman or its designated licensees, will void all warranties expressed or implied. A potential health hazard exists without original equipment replacement.

All warranted items become the sole property of Minuteman or its original manufacturer, whichever the case may be.

Minuteman disclaims any implied warranty, including the warranty of merchantability and the warranty of fitness for a particular purpose. Minuteman assumes no responsibility for any special, incidental or consequential damages.

This limited warranty is applicable only in the U.S.A. and Canada, and is extended only to the original user/purchaser of this product. Customers outside the U.S.A. and Canada should contact their local distributor for export warranty policies. Minuteman is not responsible for costs or repairs performed by persons other than those specifically authorized by Minuteman. This warranty does not apply to damage from transportation, alterations by unauthorized persons, misuse or abuse of the equipment, use of non-compatible chemicals, or damage to property, or loss of income due to malfunctions of the product.

If a difficulty develops with this machine, you should contact the dealer from whom it was purchased.

This warranty gives you specific legal rights, and you may have other rights which vary from state to state. Some states do not allow the exclusion or limitation of special, incidental or consequential damages, or limitations on how long an implied warranty lasts, so the above exclusions and limitations may not apply to you.

| Model | Parts | Labor | Poly | Travel** |
|------------------------|--------------|--------------|-------------|-----------------|
| Cord Electric Group | 5yrs | 3yrs | 12yrs | 90 days |
| Battery Operated Group | 5yrs | 3yrs | 12yrs | 90 days |

Exceptions.....

| Model | Parts | Labor | Poly | Travel** |
|-----------------------------------|--------------|--------------|-------------|-----------------|
| Port A Scrub, all models | 1yr | 6months | 12yrs | 90 days |
| A3S Blower | 1yr | 1yr | 0 | 0 |
| Phenom Dual Motor Upright Vacuums | 2yrs | 2yrs | 0 | 0 |
| Explosion Proof Vacuum | 1yr | 1yr | 0 | 0 |
| Propane Burnisher | 1yr | 1yr | 0 | 90 days |
| **Travel, 2 hours max | | | | |

| | |
|--------------------------------------|---|
| <i>Stand-alone Battery Chargers:</i> | One year |
| <i>Replacement Parts:</i> | Ninety days |
| <i>Batteries:</i> | 0-3 months full replacement, 4-12 months pro-rate |
| <i>Polypropylene Plastic Tanks:</i> | 12yr warranty, no additional labor |

“Excellence Meets Clean”

**Minuteman is a Full Line Manufacturer of Sweepers and Scrubbers,
for Industrial Facilities.**

Minuteman International, Inc. 14N845 U.S. Route 20 Pingree Grove, Illinois 60140
Phone: 800-323-9420 www.Minutemanintl.com Email: tech@minutemanintl.com
A Member of the Hako Group