



**Parts and Instruction Manual
705 Air Operated Wet/Dry
15 & 55 Gallon Vacuums**

Technical Specifications

MODEL	C70515-01	C70555-01
Tank Size	15 gal.	55 gal.
Tank Type	Stainless Steel	Painted
Wet Capacity	10 gal.	45 gal.
Dry Capacity	1.86 cu ft	7.16 cu ft
Filtration	.3 micron @94.5% efficiency	.3 micron @94.5% efficiency
Static Lift (Max)	180"	180"
Air Flow	166 CFM	166 CFM
Air Line Diameter	1/2" ID	1/2" ID
Max Airline Pressure	100 psi max	100 psi max
Input Air Requirement	42 CFM	42 CFM
Venturi	Single Jet	Single Jet
Hose Connection	Coupler	Coupler
Wheel Size Front	3"	5"
Wheel Size Rear	8"	5"
Weight	51 lbs	110 lbs

Table of Contents

TECHNICAL SPECIFICATIONS	2
OPERATING INSTRUCTIONS	4
INSPECTION.....	4
SPECIAL WARNING	4
AIR PRESSURE AND C.F.M. VOLUME REQUIRED	4
MAINTENANCE AND USAGE	4
ASSEMBLY INSTRUCTIONS	4
15 GALLON VACUUM	4
55 GALLON VACUUM	5
CLEANING AND EMPTYING INSTRUCTIONS	5
15 GALLON VACUUM	5
55 GALLON VACUUM	6
OVERVIEW	7
EXPLODED VIEWS	8
LID ASSEMBLY	8
15 GALLON TANK ASSEMBLY	10
55 GALLON TANK ADAPTER ASSEMBLY	12
55 GALLON TANK.....	14
55 GALLON DOLLY	15
NOTES	16
WARRANTY	18

MODEL 705-15 AND 705-55 AIR OPERATED WET/DRY RECOVERY VACUUMS

OPERATING INSTRUCTIONS

INSPECTION

Carefully unpack and inspect your machine for shipping damage. Each unit is tested and thoroughly inspected before shipment, therefore, any damage is the responsibility of the delivering carrier who should be notified. Read all instructions carefully before operating.

SPECIAL WARNING

Air operated equipment can generate static electricity during use. Static dissipating arcing can be generated and occur if equipment and accessories are not grounded. Risk of explosion is possible if operated near explosive materials or vapors. Do not operate this equipment near flammable materials such as solvents, thinners, fuels, grain dust, etc.

AIR PRESSURE AND C.F.M. VOLUME REQUIRED

For maximum performance, operate with 1/2" air pressure line, 80 PSI (max, 100 PSI) and 37 input C.F.M. Air pressure control valve can be regulated to operate with lower pressure and C.F.M. when maximum is not required.

MAINTENANCE AND USAGE

Air supplied to vacuum must be clean and dry to avoid contamination, and to maintain optimum performance.

Empty tank, clean filter bag, and replace disposable filters regularly. Clogged filters restrict air flow , and results in reduced vacuum performance.

Always shut off main air supply, and open air valve at vacuum, to relieve pressure before disconnecting air pressure line.

ASSEMBLY INSTRUCTIONS 15 GALLON VACUUM

1. For dry recovery, place filter bag assembly #2 onto tank assembly #4.
2. Place lid assembly #1 onto tank and fasten lid latches.
3. Connect 1/2" air pressure line to shut off valve on lid.
4. Attach vacuum hose to intake Vacuum intake will accept 1 1/2" and or 2" hose.
5. To operate, open air shut off valve to desired setting. **OPTION:** For fine dust recovery, a filter bag protector #3 is recommended to be installed ahead of the filter bag assembly #2. (Must be ordered as separate item #805038PKG of 12)

ASSEMBLY INSTRUCTIONS 55 GALLON VACUUM

1. For dry recovery, place heavy duty plastic bag liner #5 into drum #6 and drape over the rim. **Note:** without bag liner all debris picked up will go directly into drum.
2. Place adapter ring #4 onto drum.
3. Place filter bag assembly #2 onto adapter ring #5. **Option:** for fine dust recovery, a filter bag protector #3 is recommended to be installed ahead of the filter bag assembly. When installing the filter bag protector, insert it into the adapter ring and drape the elastic over the rim of the adapter to hold it in place. (filter bag protectors must be ordered as separate item #805038, package of 12.)
4. Place air vacuum lid assembly #1 onto adapter and fasten lid latches.
5. Connect 1/2" air pressure line to shut off valve on lid.
6. Attach vacuum hose to intake vacuum, intake will accept 1 1/2" or 2" hose.
7. To operate, open air shut off valve to desired setting. When recovering fine dust open air valve to 1/2 opening to avoid filter from overloading prematurely. Increase air supply gradually as vacuum performance may decrease.

CLEANING AND EMPTYING INSTRUCTIONS 15 GALLON VACUUM

For wet recovery remove filter bag #2 and filter protector #3 if used. Ball float within cage will activate as 12 gallon recovery level.

Always empty and dry tank assembly at end of each operating day, or when vacuum will not be in use over an extended period of time.

1. Shut off air supply at lid assembly.
2. Loosen lid latch and remove lid assembly.
3. Remove cloth filter bag assembly.
4. When filter bag protector is used, remove protector.
5. Empty tank into suitable trash container.
6. Reassemble following above procedure.

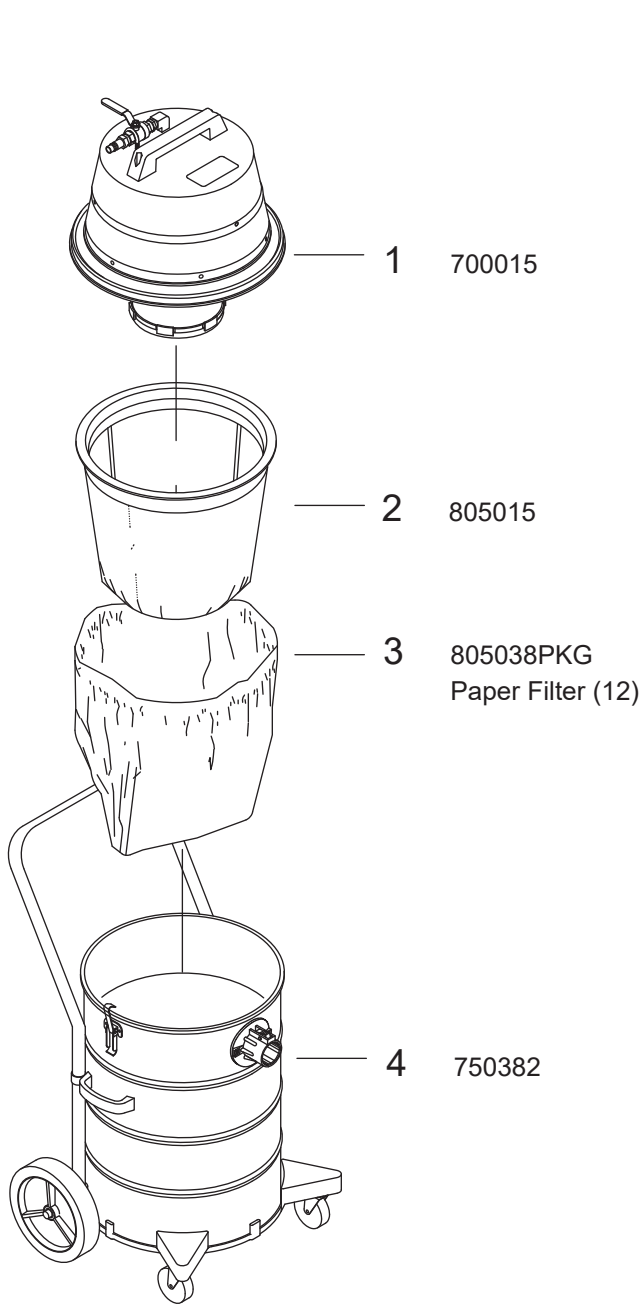
CLEANING AND EMPTYING INSTRUCTIONS 55 GALLON VACUUM

For wet recovery place adapter onto drum, remove filter bag and filter protector. Place the vacuum lid assembly and adapter on drum without filters.

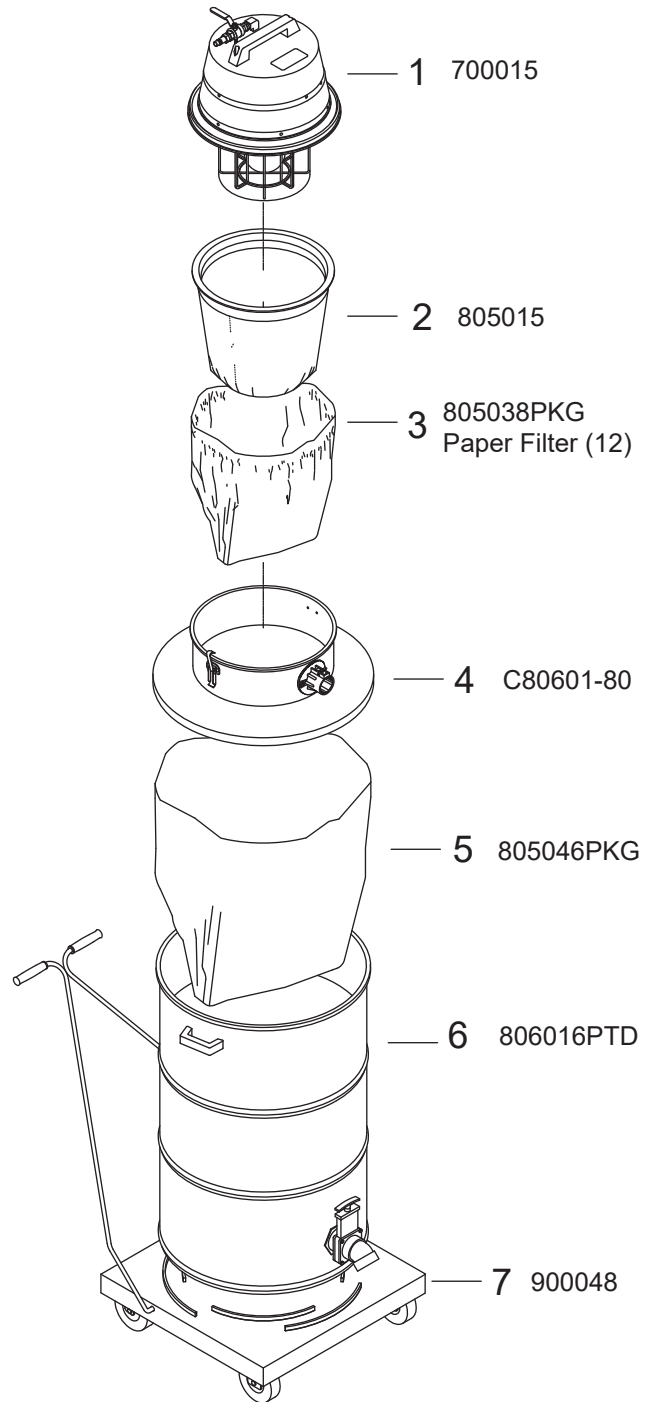
Always empty and dry tank assembly at end of each operating day, or when vacuum will not be in use over an extended period of time.

1. Shut off air supply at lid assembly.
2. Loosen lid latch and remove lid assembly.
3. Remove cloth filter bag assembly.
4. When filter bag protector is used, remove protector and place in drum or bag liner with debris.
5. Remove adapter ring.
6. If bag liner is used, gather liner at the top, tie the bag liner, place drum on its side and slide out bag liner with debris.
7. If bag liner is not used, empty drum onto suitable trash container.

OVERVIEW

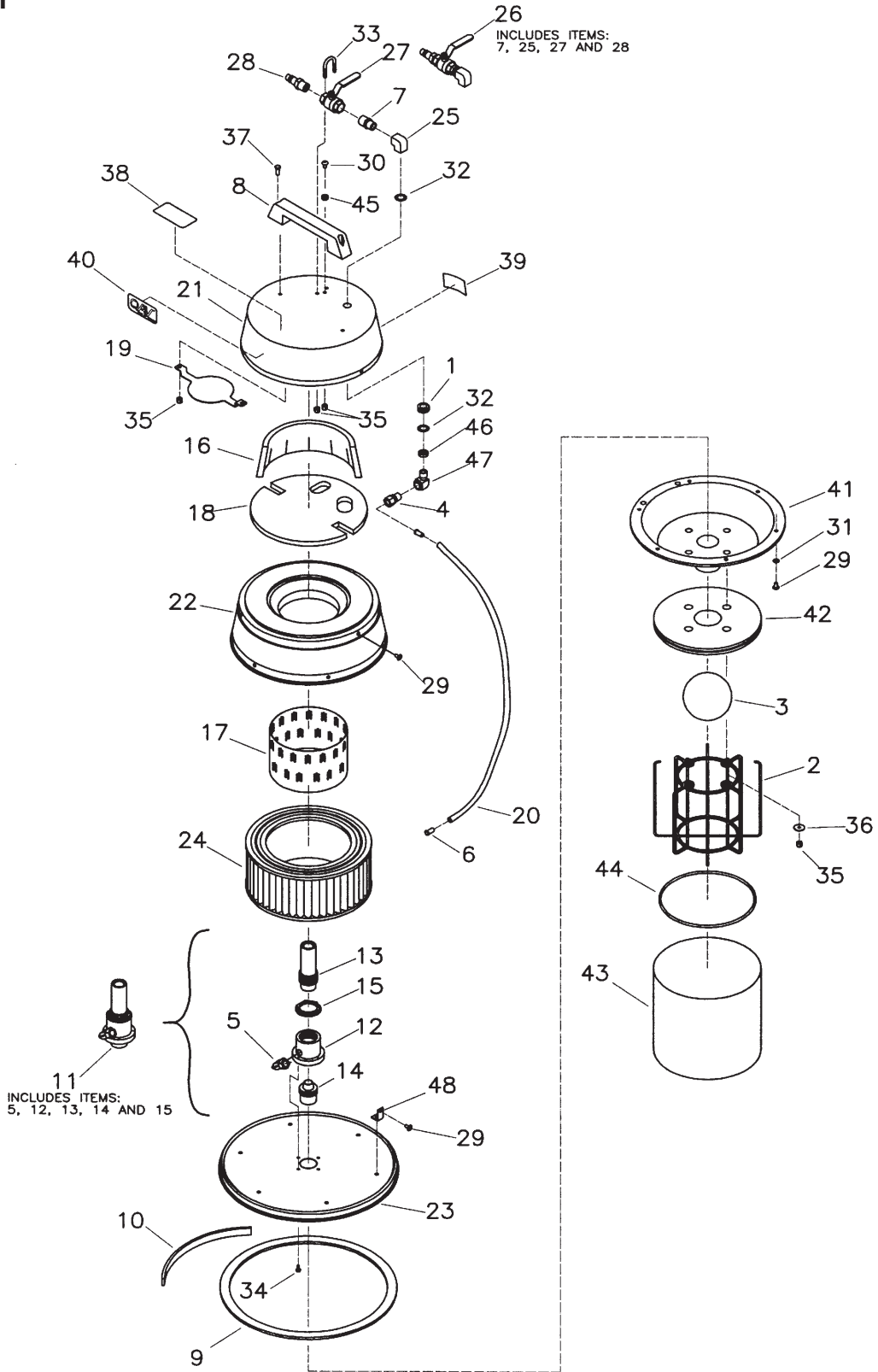


15 GALLON



55 GALLON

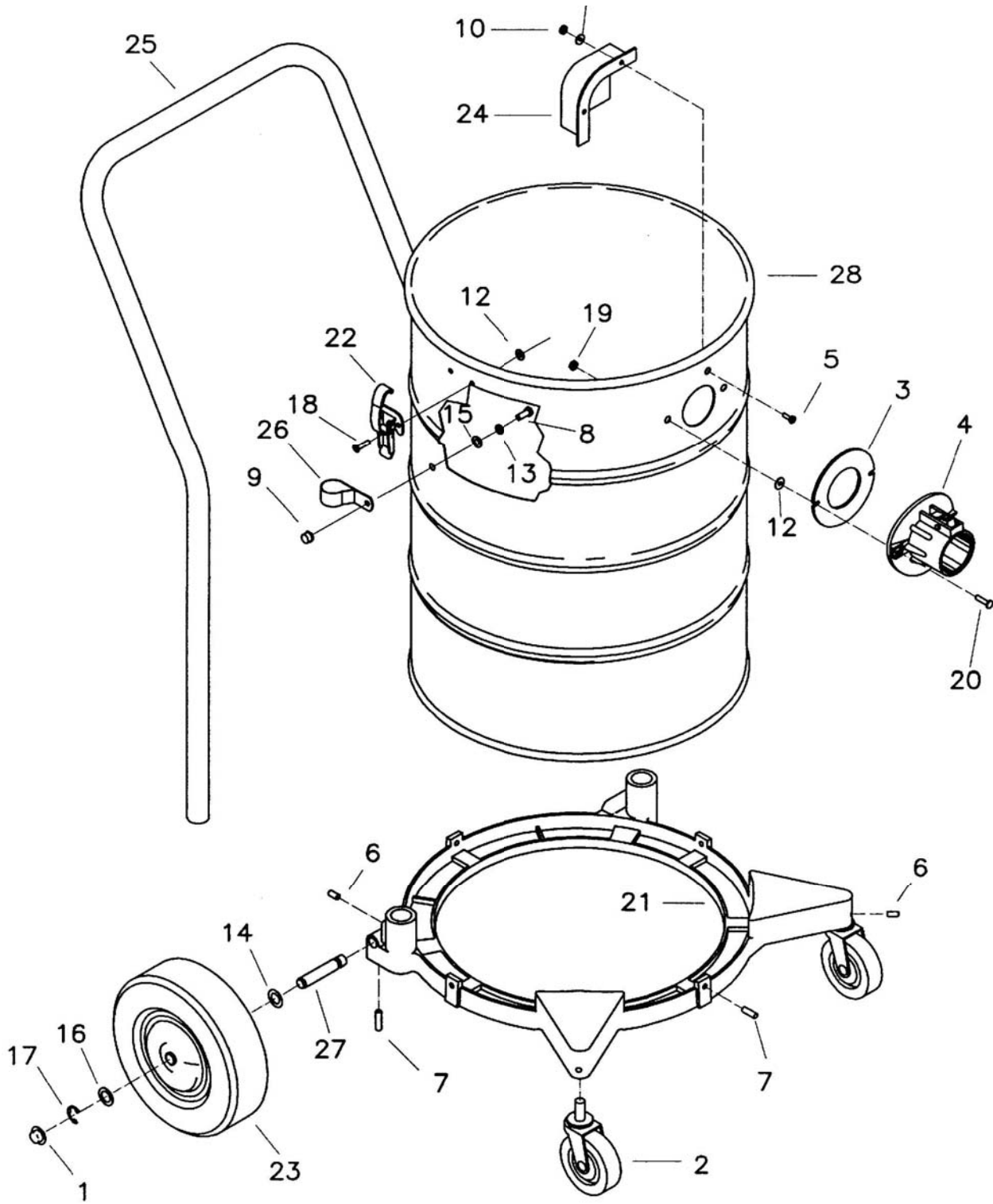
LID ASSEMBLY



LID ASSEMBLY BOM

BILL OF MATERIAL - 700015							
ITEM	PART NO.	QTY	DESCRIPTION	ITEM	PART NO.	QTY	DESCRIPTION
1	260274	1	GROMMET Z-421	25	700028	1	FTG-ELBOW 90 ST 3/8 FPT X 3/8 FPT BRASS
2	380045CTD	1	CAGE FLOAT ASY PVC DIPPED	26	700014	1	VENTURI LOCNUT
3	380046	1	BALL, HOLLOW RUBBER	27	701009	1	VALVE-.50
4	420008	1	FTG-COMP. 1/2 OD X 3/8 MPT	28	701010	1	COUPLER-MALE .50
5	420009	1	FTG-ELBOW MALE 469F	29	710178	15	SCR-THMS 1/4-20 X .50 ZP
6	420011	2	FTG-COMP. 1/2 HOSE INSERT	30	710180	1	SCR-THMS 1/4-20 X .75 ZP
7	420017	1	FTG-NIPPLE HEX REDUCER	31	711504	6	WASHER-FLAT 1/4 SS
8	460000	1	HANDLE 460 LID BLACK	32	711513	2	WSHR-FLAT .689 X 1.06 X .029 SS
9	480052	1	GASKET,RBR .25X.87X.50	33	712105	1	BLT-U 1/4-20
10	480053	1	RING, RUBBER LOCATING	34	712536	4	SCR-THMS 10-24 X .62 SS
11	700010	1	SINGLE VENTURI ASSY	35	712667	8	NUT-NYLOC 1/4-20 SS
12	700011	1	USE 700010 VENTURI HOUS- ING	36	712761	4	WASHER-FENDER 1/4 X 1.25 X .059 SS
13	700012	1	VENTURI EXHAUST TUBE	37	713002	2	SCR-HH 1/4-20 X .75 ZP 5
14	700013	1	VENTURI INTAKE	38	715003	1	DECAL-AIR PRES 2.00 X 4.00
15	700011	1	VENTURI HOUSING	39	715029	1	DECAL-NAME PLATE MODEL ID
16	700016	1	FELT LINER	40	715388	1	DECAL-QAV
17	700017	1	PERFORATED SHEILD	41	750801	1	WATER SHUT OFF ADPTR
18	700018	1	DOME FELT	42	760231MCH	1	RING, BAG RETAINING
19	700019	1	AIR DEFLECTOR 18GA	43	760234	1	BAG, LINT TRAP FILTER 10 X 9 1/4
20	700021	1	POLYHOSE 32" LONG	44	760260	1	SPRING-RETAINER BAG
21	700022PTD	1	COVER 701 PTD	45	81-120-A	1	SPACER-.316 X .626 X .210
22	700023PTD	1	OUTTER HOUSING PAINTED	46	829285PLT	1	SPACER-.25 X .875 X .687 PLATED
23	700024	1	BOTTOM PAN ASY	47	830062	1	FTG-ELBOW 90 3/8 MPT X 3/8 FPT BRASS
24	700026	1	FILTER-EXHAUST	48	832106	6	BRKT-MOUNTING TAB

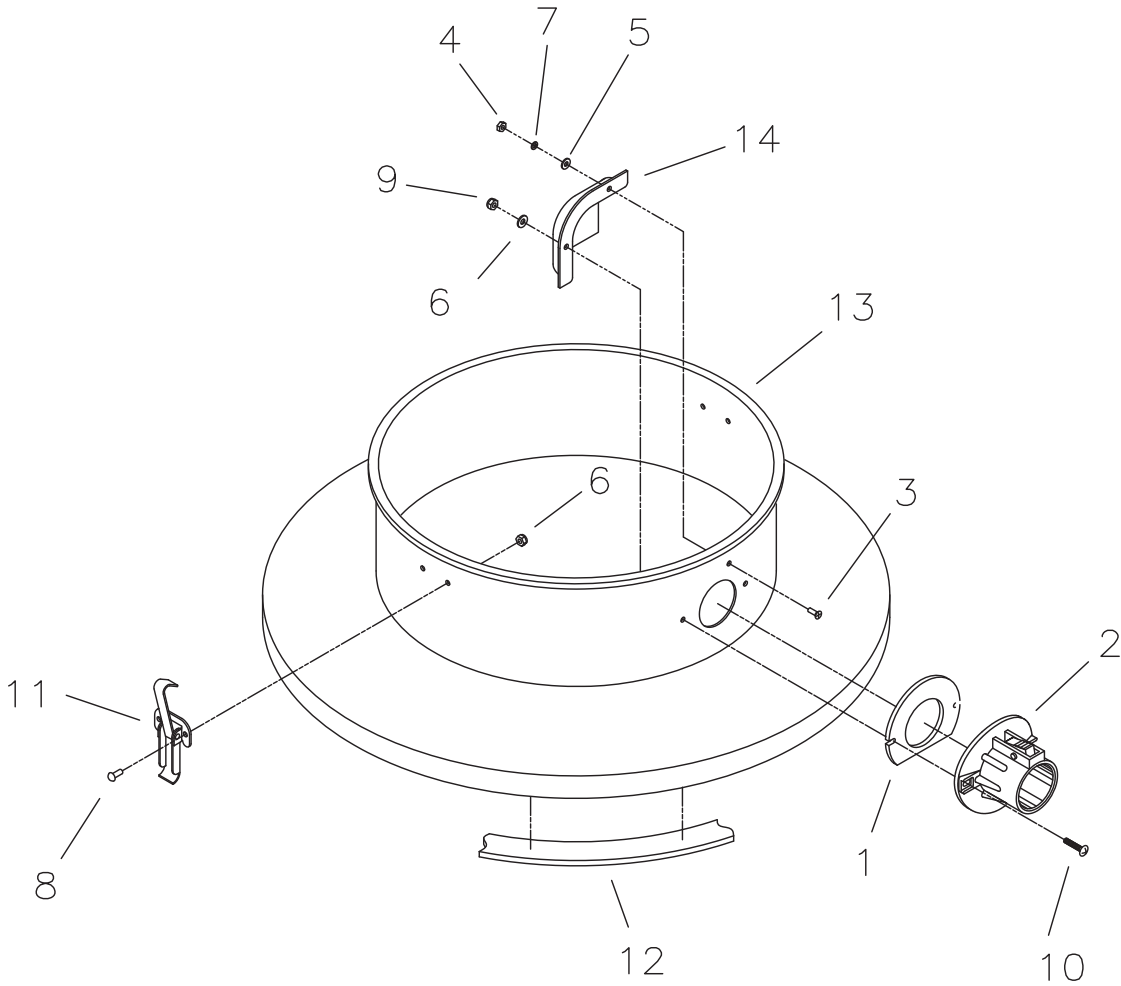
15 GALLON TANK ASSEMBLY



15 GALLON TANK ASSEMBLY BOM

BILL OF MATERIAL - 750382			
ITEM	PART NO.	QTY	DESCRIPTION
1	130032	2	CAP, RETAINER
2	280016	2	CASTER-3" W/ 3/8 X 5/8 STEM
3	390087	1	GASKET DIECUT VNN
4	390110	1	INTAKE ASSEMBLY ALUMINUM
5	710530	1	SCR-FHMS 8-32 X .50 BRASS
6	711005	4	SCR-SET 1/4-20 X .31 BLK OX CP
7	711006	6	SCR-SET 1/4-20 X .62 BLK OX CP
8	711202	2	SCR-HH 1/4-20 X .50 ZP
9	711352	2	NUT-ACORN 1/4-20 NICKEL
10	711372	1	NUT-NYLOC 8-32 ZP
11	711502	1	WASHER-FLAT #8 ZP
12	711503	6	WASHER-FLAT #10 X .50 ZP
13	711505	2	WASHER-FLAT 1/4 ZP
14	711524	2	WASHER-WAVE .52 X .87 X .01
15	711591	2	WASHER-RUBBER .25 x .62 x .06
16	711594	2	WASHER-FLAT .56 X .88 X .03 NICKEL
17	711713	2	RET RING-E EXT .50
18	711915	4	RIVET-TUBE 3/16X.28
19	712638	2	NUT-NYLOC 10-24 SS
20	712824	2	SCR-THMS 10-24 X .75 ZP
21	760984PTD	1	BRKT-WHEEL
22	761054	2	LATCH
23	900008	2	WHEEL-8.00 DIA.
24	900035	1	DEFLECTOR, INTAKE
25	900037PLT	1	HANDLE, PLATED COMMON
26	800247	2	HANDLE CLIP SS
27	900066	2	AXLE
28	900003POL	1	TK 15GSS POLISHED

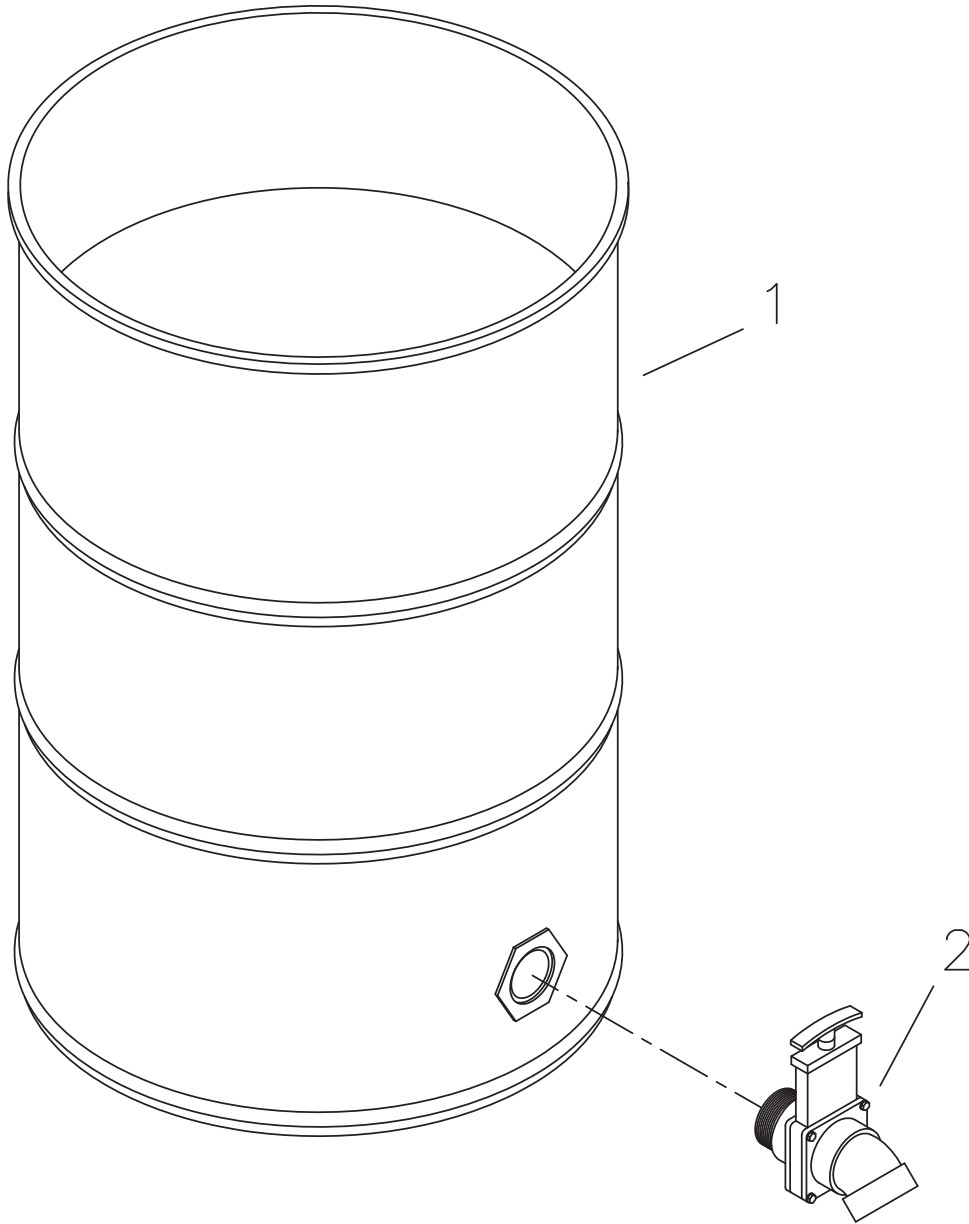
55 GALLON TANK ADAPTER ASSEMBLY



55 GALLON TANK ADAPTER ASSEMBLY

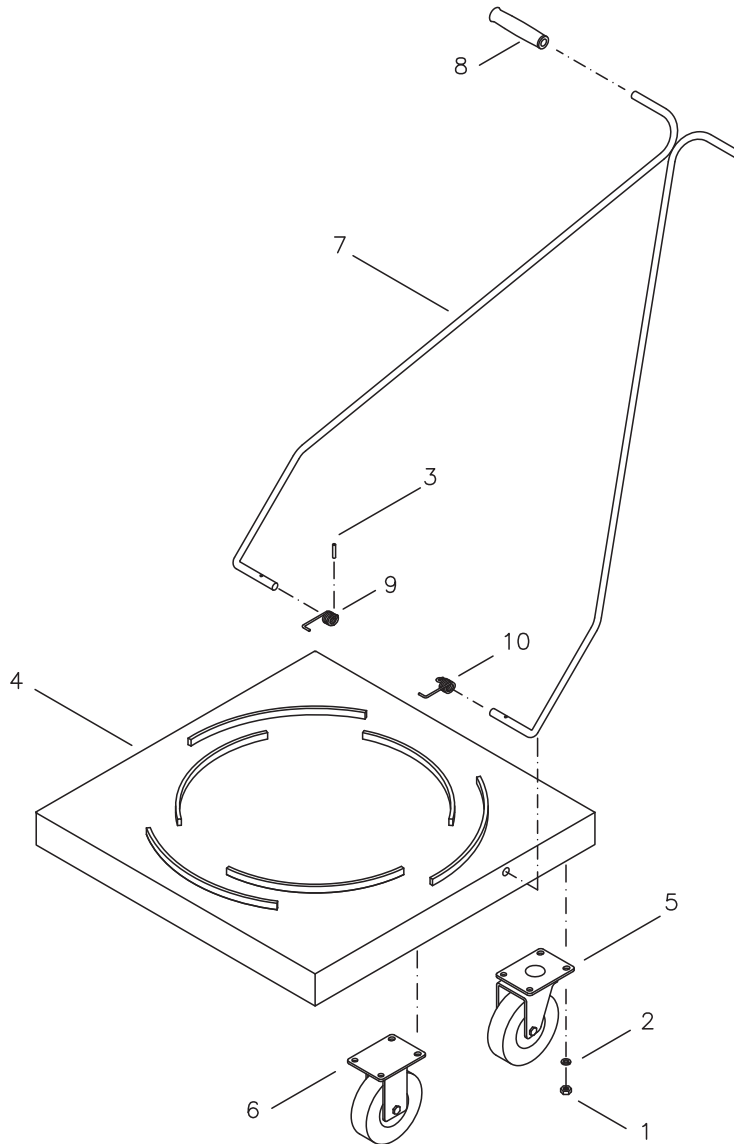
BILL OF MATERIAL - C80601-80			
ITEM	PART NO.	QTY	DESCRIPTION
1	390087	1	GASKET DIECUT VNN
2	390110	1	INTAKE ASSEMBLY ALUMINUM
3	710530	1	SCR-FHMS 8-32 X .50 BRASS
4	711372	1	NUT-NYLOC 8-32 ZP
5	711502	1	WASHER-FLAT #8 ZP
6	711503	6	WASHER-FLAT #10 X .50 ZP
7	711542	1	WASHER-LOCK #8 SPLIT ZP
8	711915	4	RIVET-TUBE 3/16X.28
9	712638	2	NUT-NYLOC 10-24 SS
10	712824	2	SCR-THMS 10-24 X .75 ZP
11	761054	2	LATCH
12	806006	1	GASKET, .25 X 1.25 X 74
13	806016PTD	1	55 GAL ADAPTER MACHINED AND PAINTED
14	900035	1	DEFLECTOR, INTAKE

55 GALLON TANK



BILL OF MATERIAL			
ITEM	PART NO.	QTY	DESCRIPTION
1	900015PTD	1	TANK 55 GALLON W/L DUMP VALVE
2	900047	1	DUMP VALVE
***	805046PKG		DRUM LINER 55 GALLON (PKG 12)

55 GALLON DOLLY



BILL OF MATERIAL - 900048			
ITEM	PART NO.	QTY	DESCRIPTION
1	711379	16	NUT-FLANGED WIZZ 5/16-18 ZP
2	711545	16	WASHER-LOCK 5/16 SPLIT ZP
3	711642	2	PIN-ROLL 3/16 X 1.00
4	750045	1	WELD-DOLLY 30/55
5	761049	2	CASTR-SWIVEL GRSE SEAL
6	761050	2	CASTER-RIGID 5 "
7	900051	1	WELD-HANDLE
8	900052	2	GRIP-HANDLE
9	900080	1	SPRING-TORSION RH ZINC
10	900081	1	SPRING-TORSION LH ZINC

Notes



Minuteman International Made Simple Commercial Limited Warranty

REVISION P EFFECTIVE 5/1/2017

Minuteman International, Inc. warrants to the original purchaser/user that the product is free from defects in workmanship and materials under normal use. Minuteman will, at its option, repair or replace without charge, parts that fail under normal use and service when operated and maintained in accordance with the applicable operation and instruction manuals. All warranty claims must be submitted through and approved by factory authorized repair stations.

This warranty does not apply to normal wear, or to items whose life is dependent on their use and care, such as belts, cords, switches, hoses, rubber parts, brushes, electrical motor components or adjustments. Parts manufactured by Minuteman are covered by and subject to the warranties and/or guarantees of their manufacturers. Please contact Minuteman for procedures in warranty claims against these manufacturers.

Special warning to purchaser -- Use of replacement filters and/or pre-filters not manufactured by Minuteman or its designated licensees, will void all warranties expressed or implied. A potential health hazard exists without original equipment replacement.

All warranted items become the sole property of Minuteman or its original manufacturer, whichever the case may be.

Minuteman disclaims any implied warranty, including the warranty of merchantability and the warranty of fitness for a particular purpose. Minuteman assumes no responsibility for any special, incidental or consequential damages.

This limited warranty is applicable only in the U.S.A. and Canada, and is extended only to the original user/purchaser of this product. Customers outside the U.S.A. and Canada should contact their local distributor for export warranty policies. Minuteman is not responsible for costs or repairs performed by persons other than those specifically authorized by Minuteman. This warranty does not apply to damage from transportation, alterations by unauthorized persons, misuse or abuse of the equipment, use of non-compatible chemicals, or damage to property, or loss of income due to malfunctions of the product.

If a difficulty develops with this machine, you should contact the dealer from whom it was purchased.

This warranty gives you specific legal rights, and you may have other rights which vary from state to state. Some states do not allow the exclusion or limitation of special, incidental or consequential damages, or limitations on how long an implied warranty lasts, so the above exclusions and limitations may not apply to you.

Model	Parts	Labor	Poly	Travel**
Cord Electric Group	5yrs	3yrs	12yrs	90 days
Battery Auto Scrubbers (incl. on board charger)	5yrs	3yrs	12yrs	90 days
Battery and Manual Sweepers	3yrs	3yrs	12yrs	90 days

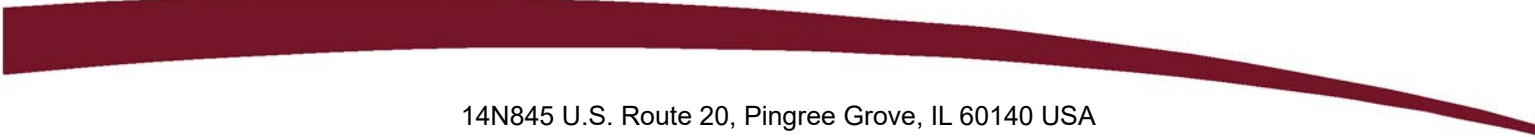
Exceptions.....

Model	Parts	Labor	Poly	Travel**
Port A Scrub, all models (incl. on board charger)	1yr	6months	12yrs	90 days
A3S Blower	1yr	1yr	0	0
Phenom Dual Motor Upright Vacuums	2yrs	2yrs	0	0
Explosion Proof Vacuum	1yr	1yr	0	0
Propane Burnisher	1yr	1yr	0	90 days
E14BQP and E14115 scrubber	1yr	1yr	12yrs	90 days
**Travel, 2 hours max				

<i>Stand-alone Battery Chargers:</i>	One year
<i>Replacement Parts:</i>	Ninety days
<i>Batteries:</i>	0-3 months full replacement, 4-12 months pro-rate
<i>Polypropylene Plastic Tanks:</i>	12yr warranty, no additional labor

“Excellence Meets Clean”

**Minuteman is a Full Line Manufacturer of Sweepers and Scrubbers,
for Industrial Facilities.**



14N845 U.S. Route 20, Pingree Grove, IL 60140 USA
Phone (800) 323-9420 - www.minutemanintl.com
A Member of the Hako Group