

CRV  
Clean Room  
Vacuum  
Digital Switching  
Station

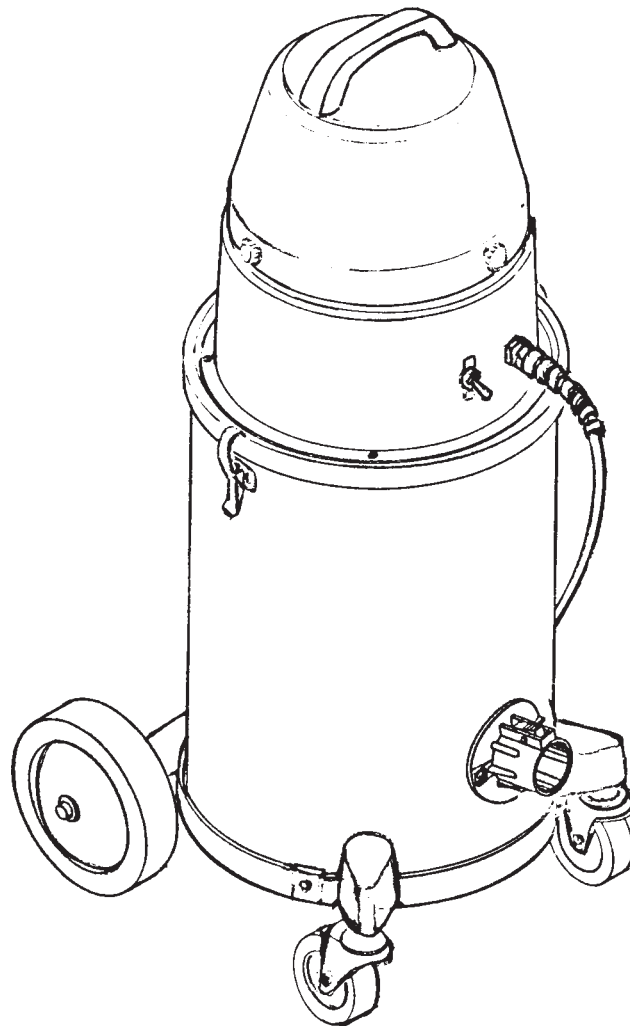
**Model: C80704-05 SS**  
**C80704-06 PT**  
**EMI/RFI Filtered**

**OPERATION**

**SERVICE**

**PARTS**

**CARE**



Revised 3/04

***Minuteman***<sup>®</sup>

# FOR COMMERCIAL USE ONLY

## IMPORTANT SAFETY INSTRUCTIONS

When using an electrical appliance, basic precautions should always be followed, including the following:

### READ ALL INSTRUCTIONS BEFORE USING

#### **WARNING** - To reduce the risk of fire, electric shock, or injury:

Do not leave appliance when plugged in. Unplug from outlet when not in use and before servicing.

#### **WARNING**

Electric shock could occur if used on wet surfaces. Do not expose to rain. Store indoors.

- Never allow children or untrained adults to operate this equipment.
- Keep the area of operation clear of all persons, particularly small children, and pets.
- Keep bystanders at least 25 feet away from the area of operation.
- Use only as described in this manual. Use only manufacturer's recommended attachments.
- Do not use with damaged cord or plug. If appliance is not working as it should, has been dropped, damaged, left outdoors, or dropped into water, return it to a service center.
- Do not pull or carry by cord, use cord as a handle, close a door on cord, or pull cord around sharp edges or corners. Do not run appliance over cord. Keep cord away from heated surfaces.
- Do not unplug by pulling on cord. To unplug, grasp the plug, not the cord.
- Do not handle plug or appliance with wet hands.
- Do not put any object into openings. Do not use with any opening blocked; keep free of dust, lint, hair, and anything that may reduce airflow.
- Keep hair, loose clothing, fingers, and all parts of body away from openings and moving parts.
- Do not pick up anything that is burning or smoking, such as cigarettes, matches, or hot ashes.
- Do not use without dust bag and/or filters in place.
- Turn off all controls before unplugging.
- Use extra care when cleaning on stairs.
- Do not use to pick up flammable or combustible liquids such as gasoline or use in areas where they may be present.
- Connect to a properly grounded outlet only. See grounding instructions.

### SAVE THESE INSTRUCTIONS

## INSPECTION

Carefully unpack and inspect your machine for shipping damage. Each unit is tested and thoroughly inspected before shipment, and any damage is the responsibility of the delivery carrier who should be notified immediately.

## ELECTRICAL

This machine is designed to operate on a standard 15 amp, 115 volt, 60 hz, AC circuit. Voltages below 105 volts AC or above 125 volts AC could cause serious damage to the motor.

## WARNING

Electric motors can cause explosions when operated near explosive materials or vapors. Do not operate this machine near flammable materials such as solvents, thinners, fuels, grain dust, etc.

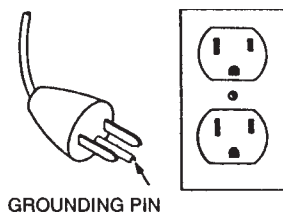
## GROUNDING INSTRUCTIONS

This appliance must be grounded. If it should malfunction or breakdown, grounding provides a path of least resistance for electric current to reduce the risk of electric shock. This appliance is equipped with a cord having an equipment-grounding conductor and grounding plug. The plug must be plugged into an appropriate outlet that is properly installed and grounded in accordance with all local codes and ordinances.

## DANGER

Improper connection of the equipment-grounding conductor can result in a risk of electric shock. Check with a qualified electrician or service person if you are in doubt as to whether the outlet is properly grounded. Do not modify the plug provided with the appliance — if it will not fit the outlet, have a proper outlet installed by a qualified electrician.

This appliance is for use on a nominal 120-volt circuit and has a grounding plug that looks like the plug illustrated in sketch A below. Make sure that the appliance is connected to an outlet having the same configuration as the plug. No adapter should be used with this appliance.



## **USER MAINTENANCE INSTRUCTIONS**

All service and repair should be performed by a qualified vacuum service representative or electrician. No user serviceable components are employed in the electrical vacuum lid head assembly. No lubrication of the motor is required.

### **CLOTH BAG & HOSE ASSY**

Cloth bag and hose assy. are user maintenance items and can be replaced when worn out. Cloth bags can be maintained by blowing dust off of the bag and then laundered. Cloth bags should be completely dried before re-installing into machine. For optimum performance, empty and clean filter bag regularly. A clogged and dirty bag restricts the flow of air and results in reduced vacuum. The hose assy. can be maintained by wiping off with a dampened cloth of mild liquid soap and water, then allowed to dry.

### **CORD STORAGE**

While not in use storage can be accomplished by winding cord around motor lid assy. Cord should be completely unwound from lid assy. during operation.

- Do not use with damaged cord or plug. If appliance is not working as it should, has been dropped, damaged, left outdoors, or dropped into water, return to service center.
- Do not pull or carry by cord, use cord as handle, close a door on cord, or pull cord around sharp edges or corners. Do not run appliance over cord. Keep cord away from heated surfaces.
- Do not unplug by pulling cord. To unplug, grasp the plug, not the cord.
- Do not handle plug or appliance with wet hands.
- Always unplug the machine when removing the head off the tank. This equipment should be stored indoors and not exposed to rain.

## **OPERATION AND FILTER CARE INSTRUCTIONS**

The Minuteman Digital Switching Station Vacuum has been specially designed to reduce the incidence of airborne dust, including carbon dust from motor cooling air, to a level of 99.999% efficiency at .12 micron size particles.

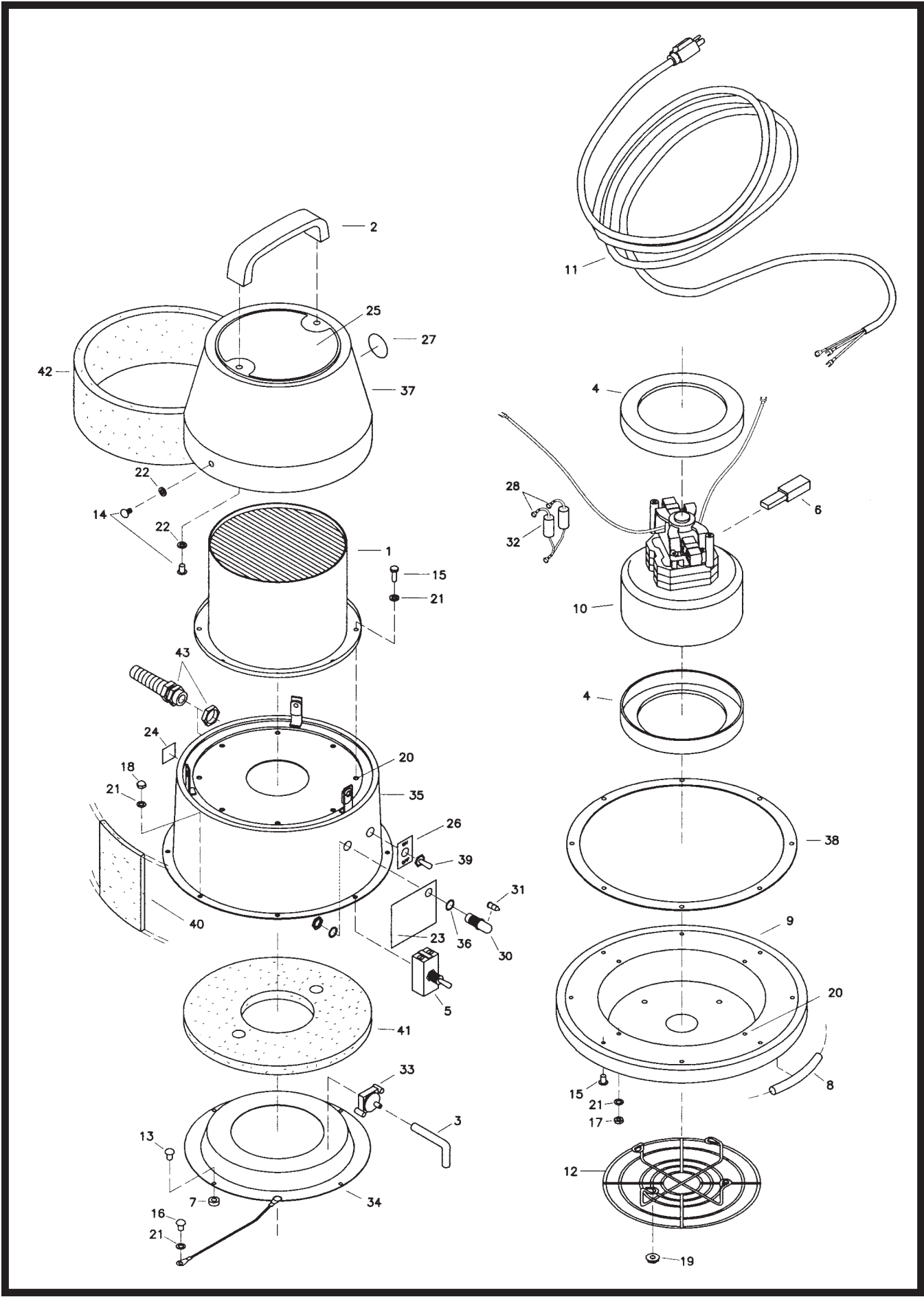
This unit is equipped with a red indicator light which will flash on and off while vacuum is in use. When the red indicator remains illuminated, the operator should replace the filter collector bag and clean the cloth filter as required. If indicator light still remains illuminated ULPA filter should be replaced.

### **PREPARING VACUUM FOR USE**

1. Take the paper disposable filter bag with the cardboard collar attached and open the bag by gently pulling the folds apart.
2. Insert the filter bag into the tank and push it to the bottom.
3. Locate the cardboard collar around the intake tube and gently work it past the raised ring that runs around the tube.
4. Place the cloth filter bag onto and into the tank centering the metal ring around the rim of the tank.
5. Position the lid onto the tank and snap on lid latches. Vacuum is ready for use.

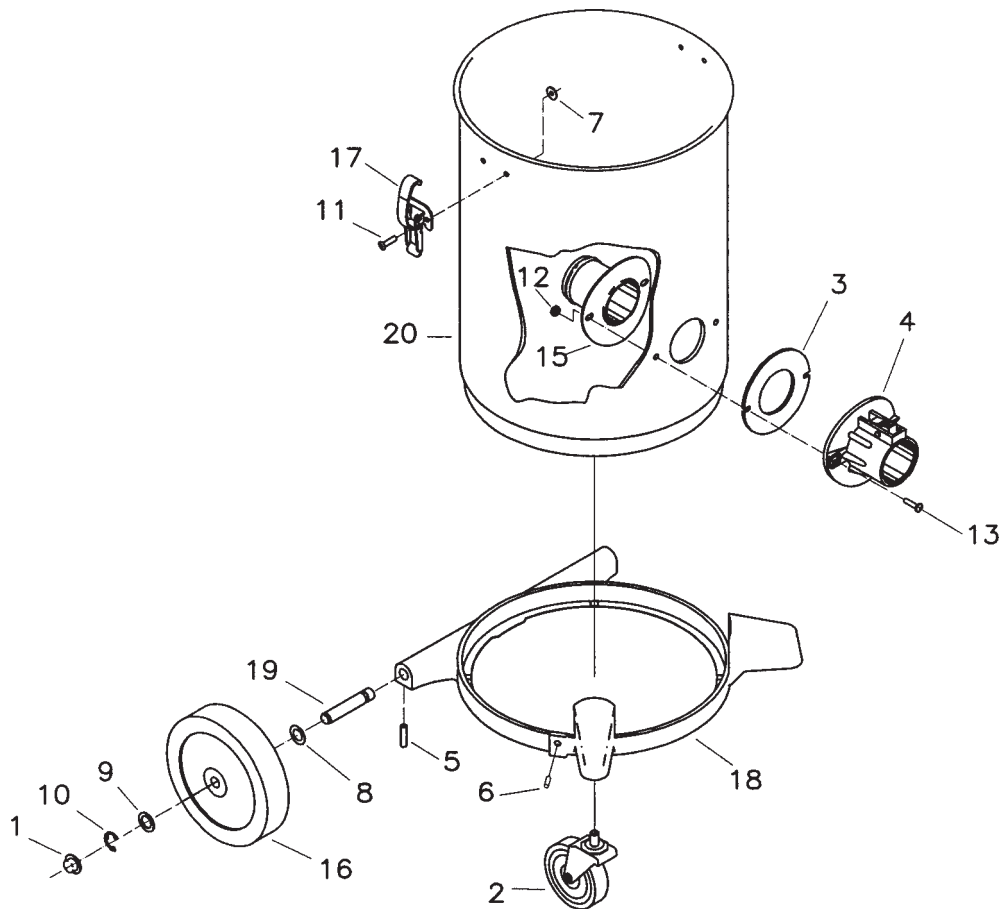
### **PROCEDURE FOR CLEANING VACUUM AND REPLACING FILTER**

1. Unplug electric cord from power source.
2. Carefully and slowly release lid latches and remove motor lid only.
3. Gently remove the cloth filter and inspect soil condition. Clean filter by shaking or brushing into trash container.
4. Reach into tank and remove paper disposal filter bag.
5. Clean out vacuum tank of any debris that may have collected.
6. To put vacuum back into service, follow "Preparing" procedure above.



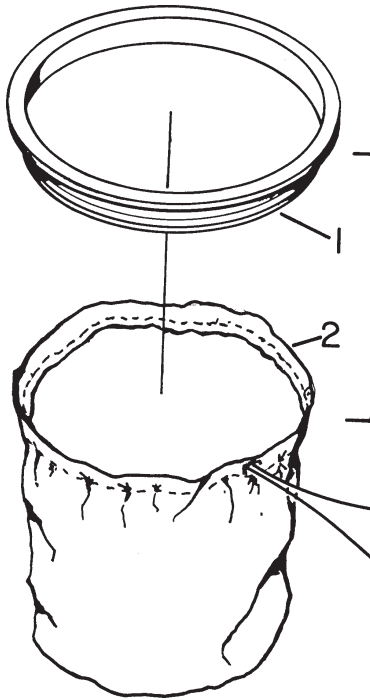
## PARTS LIST

Item	Part No.	Qty.	Description
1	110014	1	Filter-ULPA 99.999 at .12 microns
2	130040POL	1	Handle Polished
3	250118	1	Hose, Neoprene C/L 3.00" Long
4	290017	2	Molded Vac Motor Gasket
5	380002	1	Switch, Toggle 1.5 HP 125V-250V
6	380028	2	Carbon Brush Replacement
7	380037	4	Bushing .196 x .313 x .203
8	380044	1	Lid Gasket 4/6, 40"
9	380066	1	Lid, SS CRV Vac
10	381001	1	Vac Motor, 6311-00 120V
11	381020	1	Cord 16GA-3 50FT Med Gray
12	384001PLT	1	Bag Guard New Style
13	710153	8	SCR-MC 10-32 x .37 Zinc
14	710177	5	SCR-MC 1/4-20 X .37 Zinc
15	710356	12	SCR-MC 10-32 x .62 Zinc
16	711124	1	SCR-ST-B 10 X .37 NI
17	711310	4	Nut-Hex 10-32 ST PL
18	711351	8	Acorn Nut 10/32 ST N1
19	711373	4	Nut-Nyloc 1/4-20
20	711401	9	Nut-Riv 10-32
21	711553	17	WSR-Internal Lock #10
22	711554	5	WSR-Internal Lock 1/4
23	715025	1	Decal Filter Check CRV
24	715029	1	Decal Name Plate Serial
25	715093	1	Decal CRV Diecut Bellcor
26	715129	1	Decal On/Off CRV
27	715501	1	Decal Made in USA
28	740009	2	Ring 16-22G Non Ins #6
29	740026	4	Spade 14-16G Non Ins #10
30	740090	1	Light Socket & Lens
31	740091	1	Pilot Neon 115V NE2J
32	740148	1	RFI KMT 254/950-410-750
33	740224	1	Switch Pressure 502 351 W
34	750000	1	Assy. Motor Hold Down
35	750195	1	Silencer Dome Assy.
36	760247	1	O-Ring .312 ID x .442 x .065
37	760281PTD	1	Cover HEPA Filter Painted
38	760291	1	Gasket
39	760650	1	Hexseal Switch Boot
40	761289	1	Liner Felt, .4.50 x 26.5
41	761291	1	Felt, .62 x 9.00 x .50
42	800046	1	Air Diffuser CRV
43	833237	1	Strain Relief w/Nut
****	800047		CRV Lid Asy w/RFI 115V



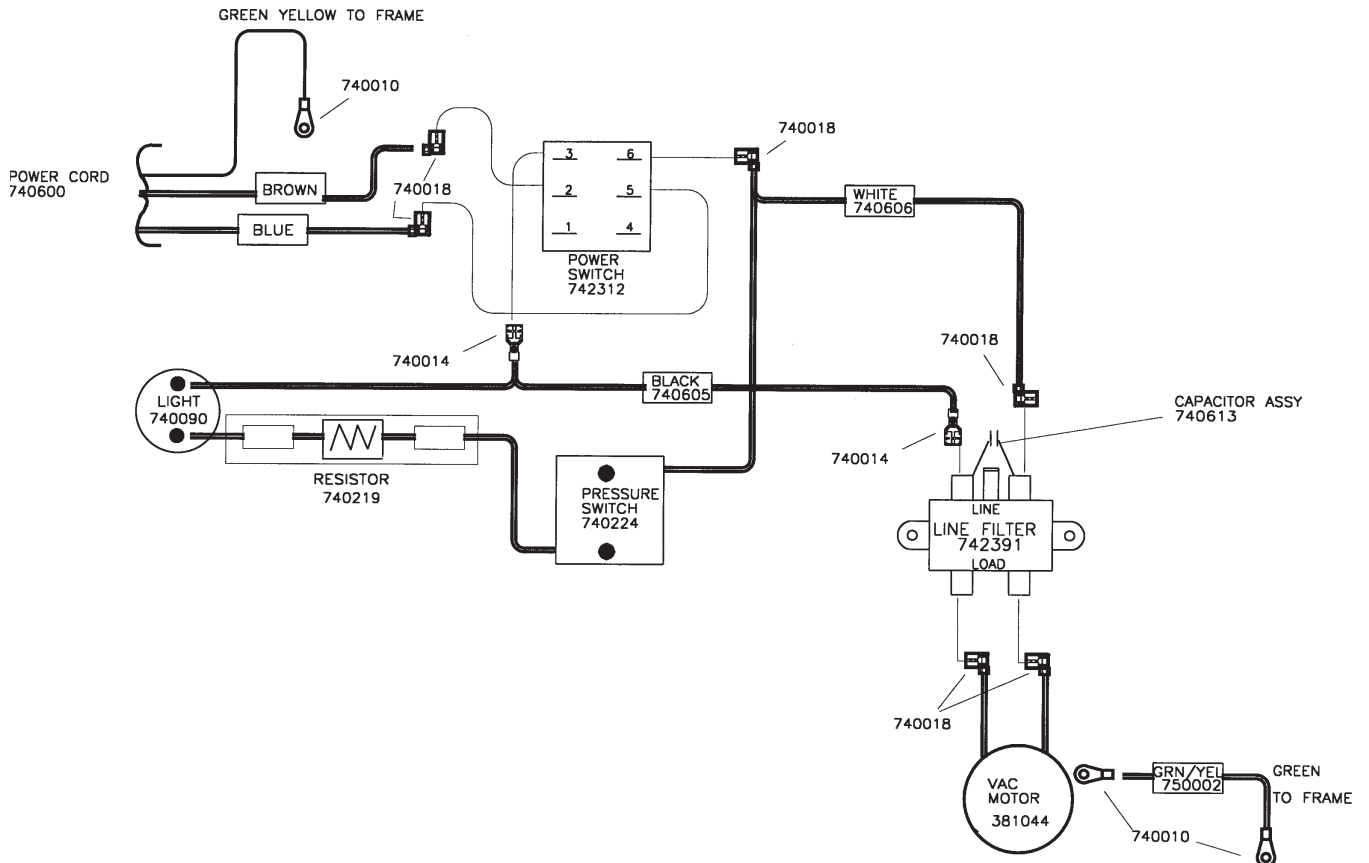
## PARTS LIST

Item	Part No.	Qty.	Description
1	130032	2	Cap Retainer
2	280016	2	Caster 3" w 3/8 x 5/8 Stem
3	390087	1	Gasket Diecut VNN
4	390110	1	Intake Assy Aluminum
5	711005	4	SK 1/4-20 x .31
6	711006	3	SK 1/4-20 x .62
7	711503	4	WSR-FLT #10
8	711524	2	WSR-Wave .52 x .87 x .01
9	711594	2	WSR-FLT .56 x .88 x .03 Nickel
10	711713	2	Ret Ring-E Ext .50
11	711915	4	Rivet-Tube .19 x .28 NI PL
12	712638	2	Nut Hex 10-24 SS Nyloc
13	712824	2	SCR-THMS 10-24 x .75 STPL Zinc
14	715383	1	Decal, MMN 1 x 6.88 Lt Gray
15	750118	1	Intake Assy Tube 4/6 Gal
16	760083	2	Wheel 6" 6-105 .5 ID
17	761054	2	Latch
18	900055PTD	1	Bracket, Wheel 4/6 Gal
19	900066	2	Axle
20	900085	1	Tank, 4 Gal. PTD
20A	900109	1	Tank, 4 Gal. SS Low Intake



## PARTS LIST

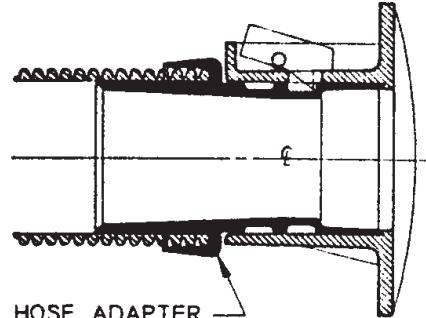
Item	Part No.	Qty.	Description
1	760244	1	Molded Bag Ring
2	805043	1	Cloth Filter 4 Gallon
3	805044	1	Bag Assy. Complete 4 Gallon





HOSE ASSEMBLY COMPLETE

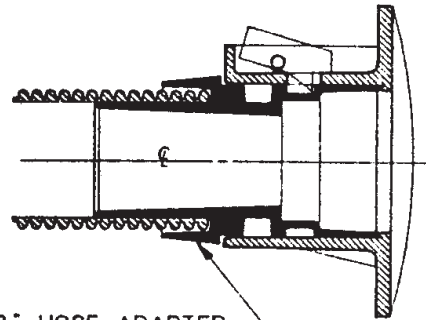
- 800322 2" X 10' CRUSH PROOF
- 800323 2" X 15' CRUSH PROOF
- 800324 2" X 25' CRUSH PROOF



390019 - 2" HOSE ADAPTER

HOSE ASSEMBLY COMPLETE

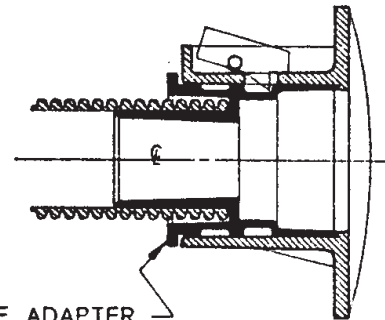
- 800317 1-1/2" X 10' CRUSH PROOF
- 800318 1-1/2" X 15' CRUSH PROOF
- 800319 1-1/2" X 25' CRUSH PROOF
- 800320 1-1/2" X 10' NEOPRENE
- 800321 1-1/2" X 15' NEOPRENE
- 800325 1-1/2" X 25' NEOPRENE



390014 - 1-1/2" HOSE ADAPTER

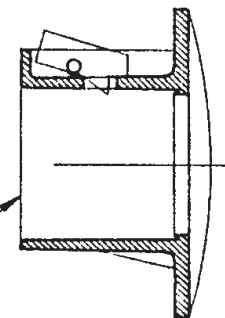
HOSE ASSEMBLY COMPLETE

- 800326 1-1/4" X 10' CRUSH PROOF

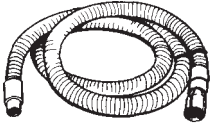


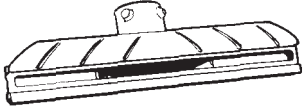

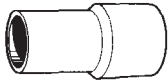

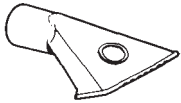
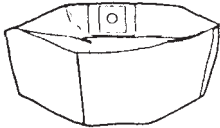




390013 - 1-1/4" HOSE ADAPTER

390110 ALUMINUM  
INTAKE COMPLETE  
WITH PINS



# OPTIONAL TOOLS & ATTACHMENTS

		Part No.	Description
<b>A</b>		800317 390014 801044	Hose Asy with Swivel Cuff 1 1/2 x 10 Cuff Hose
<b>B</b>		801044	Hose Only 1 1/2 x 10
<b>C</b>		761228	Wand Asy 1 1/2, Complete
<b>D</b>		601032 - 11" Carpet Floor Tool 808422 - Adj. Lever 133217 - Adj Screw 17916 - Replacement Brush	808397 - Nozzle 712065 - Screw 133214 - Spring 133215 - Sleeve
<b>E</b>		800083 133249 800084 808023	3" Round Dust Brush Adapter Brush Bristle Adapter
<b>F</b>		801015	Hose Cuff
<b>G</b>		800020	Hose Coupling 1 1/2
<b>H</b>		800124	Plastic 5" Upholstery Tool
<b>I</b>		384003PKG	Disposable Paper Bags, Pkg of 10
<b>J</b>		761177PKG	Filter Protectors, Pkg of 12
<b>K</b>		800104	Crevice Tool

# LIMITED WARRANTY

Minuteman International, Inc. warrants to the original purchaser/user that this product is free from defects in workmanship and materials under normal use and service for a period of three years from date of purchase. In addition, Minuteman International, Inc. will, at its option, honor labor warranty claims for the first 12 months from date of sale, provided such claims are submitted through and approved by factory authorized repair stations. Minuteman International, Inc. will, at its option, repair or replace without charge, except for transportation costs, parts that fail under normal use and service when operated and maintained in accordance with the applicable operation and instruction manuals.

This warranty does not apply to normal wear, or to items whose life is dependent on their use and care, such as belts, cords, switches, hoses, rubber parts, electrical motor components or adjustments. Parts not manufactured by Minuteman International, Inc. such as engines, batteries, battery chargers, hydraulic pumps, and tires are covered by and subject to the warranties and/or guarantees of their manufacturers. Please contact Minuteman International, Inc. for procedures in warranty claims against these manufacturers.

**Special warning to purchaser** — Use of replacement filters and/or prefilters not manufactured by Minuteman International, Inc. or its designated licensees, will void all warranties expressed or implied.

A potential health hazard exists without exact original equipment replacement.

All warranted items become the sole property of Minuteman International, Inc. or its original manufacturer, whichever the case may be.

Minuteman International, Inc. disclaims any implied warranty, including the warranty of merchantability and the warranty of fitness for a particular purpose. Minuteman International, Inc. assumes no responsibility for any special, incidental or consequential damages.

This limited warranty is applicable only in the U.S.A. and Canada, and is extended only to the original user/purchaser of this product. Customers outside the U.S.A. and Canada should contact their local distributor for export warranty policies. Minuteman International, Inc. is not responsible for costs or repairs performed by persons other than those specifically authorized by Minuteman International, Inc. This warranty does not apply to damage from transportation, alterations by unauthorized persons, misuse or abuse of the equipment, use of non-compatible chemicals, or damage to property, or loss of income due to malfunctions of the product.

If a difficulty develops with this machine, you should contact the dealer from whom it was purchased.

This warranty gives you specific legal rights, and you may have other rights which vary from state to state. Some states do not allow the exclusion or limitation of special, incidental or consequential damages, or limitations on how long an implied warranty lasts, so the above exclusions and limitations may not apply to you.

## ***Minuteman***<sup>®</sup>

*A Member of the Hako Group of Companies*

### **World Headquarters**

Minuteman International, Inc.  
111 South Rohlwing Road  
Addison, Illinois 60101

Phone 630-627-6900

Fax 630-627-1130

www.minutemanintl.com

Minuteman Canada, Inc.

2210 Drew Road  
Mississauga, Ontario  
L5S 1B1

Phone 905-673-3222

Fax 905-673-5161

987917

Printed in U.S.A.