

Parts Manual Phenom Dual Motor Upright Vacuum



L1515 & L15230



L1815 & L18230

Table of Contents

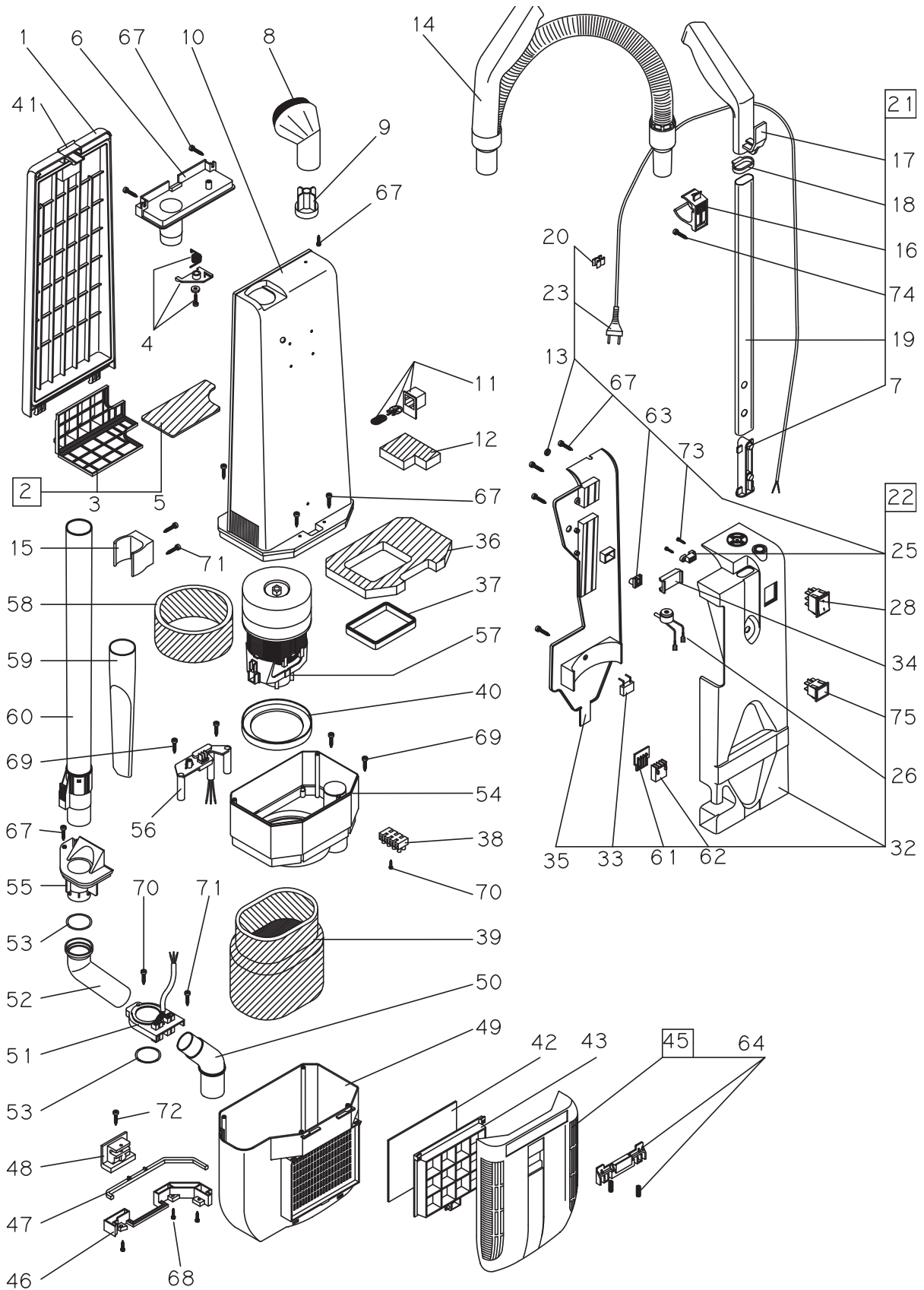
Safety Instructions.....	3
Suction Body	4
Power Brush.....	8

Safety Instructions

For Safety When Servicing or Maintaining Machine

- Disconnect the power to the machine.
- Avoid moving parts. Do not wear loose jackets, shirts, or sleeves when working on machine.
- Do not clean machine with a pressure washer.
- Authorized personnel must perform repairs and maintenance. Use Minuteman supplied replacement parts.

Suction Body



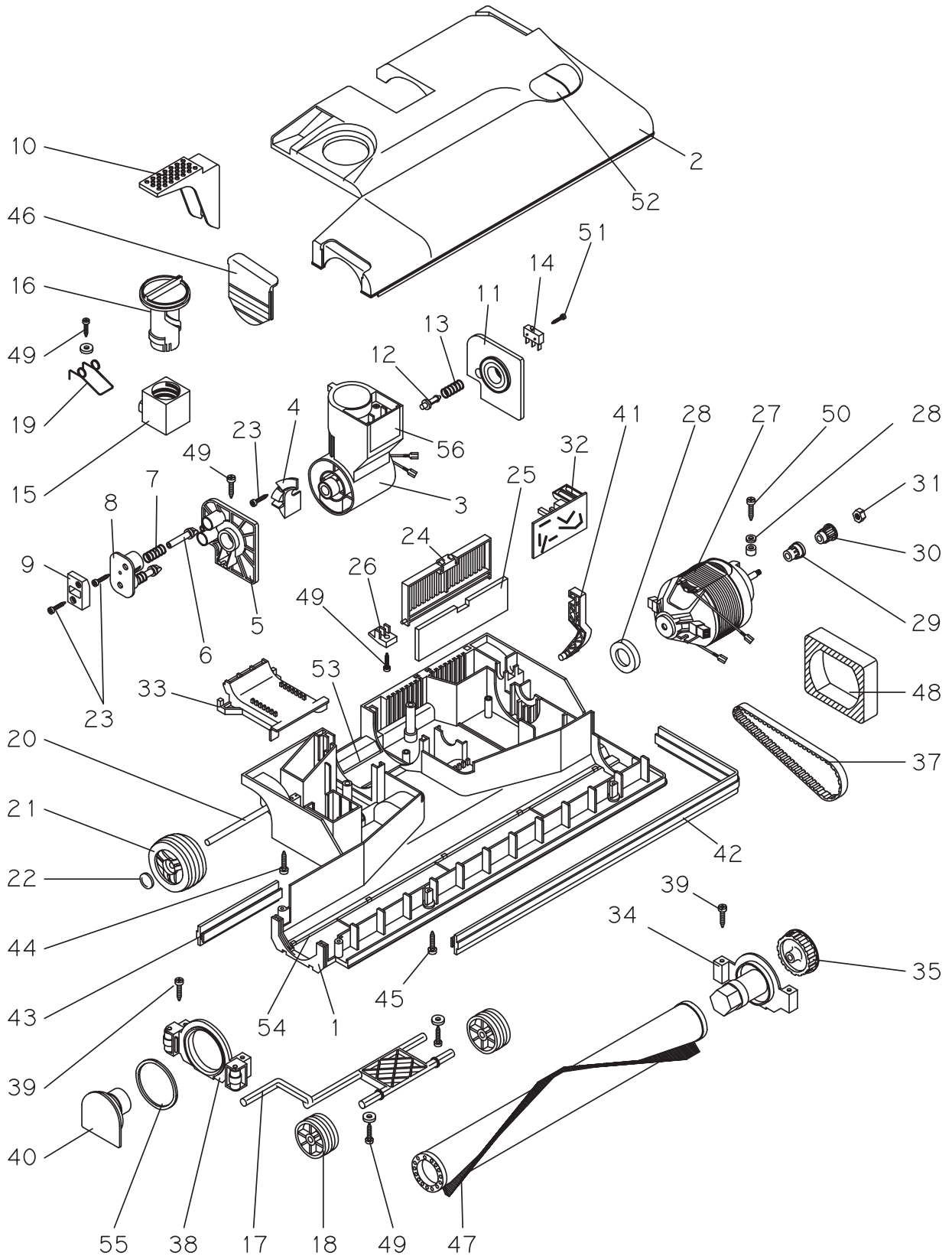
Suction Body BOM

ITEM	PART NO.	DESCRIPTION	
1	080171281	BAG HOUSING COVER DARK GREY	
2	080080000	GRILL COMPLETE	
3	000160304	GRILL FILTER HOLDER	
4	084580081	SAFETYSUPPORT KIT	
5	011410316	INTERNAL FILTER	
6	086590081	BAG ENTRANCE W/SAFETYSUPPORT	
7	084520081	HANDLE BUTTON ASSEMBLY2 POS.	
8	031460310	ROUND DUSTING BRUSH	
9	002740101	ROUND DUSTING BRUSH SUPPORT	
10	089631281	BAG HOUSING COMPLETE DARK GREY	
11	080790081	VALVE KIT	
12	011050016	VALVE FILTER	
13	010260307	O-RING	
14	086670381	EXTENSION HOSE WITH HANDLE GRIP	
15	000980310	WAND CLIP	
16	001950110	UPPER HOOK FOR FLEXIBLE HOSE	
17	080771281	HANDLE GRIP DARK GREY	
18	002870105	RETAINER	
19	084590081	CROMATE TUBE	
20A	001680304	CORD CLIP V.230/240	230VMODELS ONLY
21	084411281	HANDLE TUBE ASSEMBLY2 POS.	
22	084334480	ELECTRICAL SYSTEM ASSY	
22A	180454481	ELECTRICAL SYSTEM ASSYSCHUKO PLUG	230VMODELS ONLY
22B	180464481	ELECTRICAL SYSTEM ASSYBRITISH PLUG	230VMODELS ONLY
22C	180474481	ELECTRICAL SYSTEM ASSYSWISS PLUG	230VMODELS ONLY
22D	180484481	ELECTRICAL SYSTEM ASSYCHINAPLUG	230VMODELS ONLY
22E	180494481	ELECTRICAL SYSTEM ASSYKOREAPLUG	230VMODELS ONLY
22F	180504481	ELECTRICAL SYSTEM ASSYAUSTRALIAN PLUG	230VMODELS ONLY
23	022480020	CORD 3x18 12,5 MT. USAPLUG YELLOW	
23A	020200312	CORD.2x1 SCHUKO PLUG	230VMODELS ONLY
23B	020780312	CORD.2x1 UK PLUG	230VMODELS ONLY
23C	020990312	CORD 2x1 SWISS PLUG	230VMODELS ONLY
23D	023670312	CORD.2x1 10 MT. CHINAPLUG	230VMODELS ONLY
23E	024080312	CORD.2x1 KOREAPLUG	230VMODELS ONLY
23F	021300312	CORD 2x1 AUSTRALIAN PLUG	230VMODELS ONLY
25	000070305	CORD CLAMP	
26	021340000	NEWVACUUM SENSOR	
28	020390300	MAIN SWITCH V.100/120/230/240 15A	
32	003934401	COVER HANDLE	

ITEM	PART NO.	DESCRIPTION	
33A	020120000	RFI FILTER V.230	230VMODELS ONLY
34	001980306	COMB WIRE HOLDER	
35	003924401	FRAME HANDLE	
36	010200016	FOAM FILTER	
37	000200308	GASKET	
38	020340400	TERMINAL BLOCK 3 POLES	
38A	020040400	TERMINAL BLOCK 2 POLES	230VMODELS ONLY
39	011790016	FOAM MOTOR FILTER	
40	007940308	GASKET NEW	
41	082721281	BAG DOOR LATCH+SPRING DARK GREY	
42	083770081	EXHAUST MICROFILTER 5 PCS	
43	003360100	EXHAUST GRILL	
45	084384481	FRONT GRILL	
46	003980133	BLOCKING JOINT PIN SUPPORT	
47	010840009	JOINT PIN	
48	001500105	CONTROL PIN SLIDE	
49	003961201	VACUUM MOTOR HOUSING	
50	001760331	LOWER CURVE	
51	084610080	CURVE SUPPORT V.120/60 3 WIRES	
51A	084610081	CURVE SUPPORT V.100-230-240/50 For RX Hepa	230VMODELS ONLY
52	001750331	UPPER CURVE	
53	010270307	O RING	
54	081201281	INNER VACUUM MOTOR HOUSING	
55	003970133	HOSE INLET RX Hepa	
56	088660080	CORD CLAMP W/OUT ELECT.3 WIRES NEW	
56A	088650080	CORD CLAMP W/OUT ELECT.2 WIRES V.100/120/230/240	230VMODELS ONLY
57	051350080	VACUUM MOTOR R26APSS (HE) V.120/60 W.750	
57A	051340081	VACUUM MOTOR R26APSS (HE) V.240/50 W.750	230VMODELS ONLY
58	010220016	FOAM FILTER	
59	030060310	CREVICE TOOL	
60	030550300	TELESCOPIC WAND	
61	002480003	CONTACT COVER 4 POS.	
62	002400003	CONTACT HOUSING 4 POS.	
63	003230001	VACUUM SENSOR ADAPTOR	
64	084440181	BOTTON COVER KIT MEDIUM GREY	

ITEM	PART NO.	DESCRIPTION	
67	087250009	WRAPPING OF 20 PCS SCREW3,5x22	
68	088020009	WRAPPING OF 20 PCS SCREW3,5x13	
69	085550009	WRAPPING OF 20 PCS SCREW3,5x25	
70	086440009	WRAPPING OF 20 PCS SCREW3,5x19	
71	085590009	WRAPPING OF 20 PCS SCREW3,9x13	
72	087260009	WRAPPING OF 20 PCS SCREW3,9x22	
73	085610009	WRAPPING OF 20 PCS SCREW2,9x16	
74	085560009	WRAPPING OF 20 PCS SCREW3,9x16	
75	020020000	INDICATOR LIGHT	
	022290000	CARBON BRUSH R26 (NEW)	
	030640000	HEPAFILTER	
	030650000	CARBON ACTIVE FILTER	

Power Brush



Power Brush BOM

ITEM	PART NO.	DESCRIPTION	
1	081990281	BODYMAIN BRUSH HEAD 15"	15" ONLY
	082850281	BODYMAIN BRUSH HEAD 18"	18" ONLY
2	082861281	ELECTRIC BRUSH COVER 15"	15" ONLY
	082871281	ELECTRIC BRUSH COVER 18"	18" ONLY
3	083210380	JOINT COMPLETE 120V3 way	
3A	082030381	JOINT COMPLETE 100/120/240V	230VMODELS ONLY
4	002290305	JOINT PIN SLIDE	
5	081910080	SUPPORT RIGHT JOINT	
6	001940036	PLUNGER	
7	010390009	SPRING DOWEL RELEASE	
8	001930036	DOUBLE PIN WASHER	
9	002180105	DOUBLE RELEASE PLATE	
10	002550105	FOOT PEDAL	
11	081920080	SUPPORT LEFT JOINT	
12	000670036	SWITCH ACTIVATOR PIN	
13	010480009	SPRING	
14	020640000	MICROSWITCH	
15	000990305	BRUSH ADJUSTER	
16	002424404	BRUSH ADJUSTER KNOB	
17	011330029	FRONT AXLE	
18	003090004	FRONT WHEEL-NYLON SILVER GREY	
19	011160009	SPRING BRUSH ADJUST	
20	011390009	SHAFT FOR FIXED WHEELS	
21	002270000	BIG WHEEL	
22	012840009	WHEEL RETAINER NEW	
23	085610009	WRAPPING OF 20 PCS SCREW2,9x16	
24	002140104	FILTER GRILL	
25	011240316	EXHAUST FILTER	
26	002160104	STOP GRILL PLATE	
27	050030080	BRUSH MOTOR 100/120V(15")	15" 115VMODEL ONLY
	050240080	BRUSH MOTOR 100/120V(18")	18" 115VMODEL ONLY

ITEM	PART NO.	DESCRIPTION	
27A	050040081	BRUSH MOTOR 240V380 (14")	15" 230VMODEL ONLY
	050250081	BRUSH MOTOR 240V(16"-18")	18" 230VMODEL ONLY
28		ONLYEUROPE	
29	002890029	SPACER PINION	
30	002880029	PINION	
31	180160009	WRAPPING OF 20 PCS NUT M4	
32	020810000	CIRCUIT BOARD 120V	
32A	020840000	CIRCUIT BOARD 230/240V	230VMODELS ONLY
33	002170104	CHANEL COVER	
34	082600081	TRASMISSION SUPPORT W/ PULLEY	
35	086160381	PULLEYWITH METAL INSERT	
37	010790300	TIMING BELT 7 MM	
38	081940081	WHEELS SUPPORT	
39	085560009	WRAPPING OF 20 PCS SCREW 3,9x16	
40	081950081	ROLLER SUPPORT	
41	002210304	SIDE LEVER	
42	002560112	FRONT BUMPER 15"	15" ONLY
	002580112	FRONT BUMPER 18"	18" ONLY
43	002570112	BACK BUMPER GASKET 15"	15" ONLY
	002590112	BACK BUMPER GASKET 18"	18" ONLY
44	087270009	WRAPPING OF 20 PCS SCREW 4,8x50	
45	087280009	WRAPPING OF 20 PCS SCREW 3,5x38	
46	002150104	SIDE COVER	
47	003200301	BRUSH ROLLER 15"	15" ONLY
	003250301	BRUSH ROLLER 18"	18" ONLY
48	010580016	MOTOR FILTER	
49	085590009	WRAPPING OF 20 PCS SCREW 3,9x13	
50	085550009	WRAPPING OF 20 PCS SCREW 3,5x25	

ITEM	PART NO.	DESCRIPTION	
51	086950009	WRAPPING OF 20 PCS SCREW 2,2x16	
52	082940081	LENS SET RED & GREEN	
53	011000017	FELT FOR BRUSH HOUSING	
54	082890000	BASE METAL GUIDES SET 15"	15" ONLY
	082900000	BASE METAL GUIDES SET 18"	18" ONLY
55	011360307	O'RING	
56	082490080	MALE ELEC. CONNECTION SET 120V3 WIRES	
56A	082490081	MALE ELEC. CONNECTION SET 100/230/240V	230VMODELS ONLY
	021260000	CARBON BRUSH FOR BRUSH MOTOR R73	

“Excellence Meets Clean”

**Minuteman is a Full Line Manufacturer of Sweepers and Scrubbers,
for Industrial Facilities.**